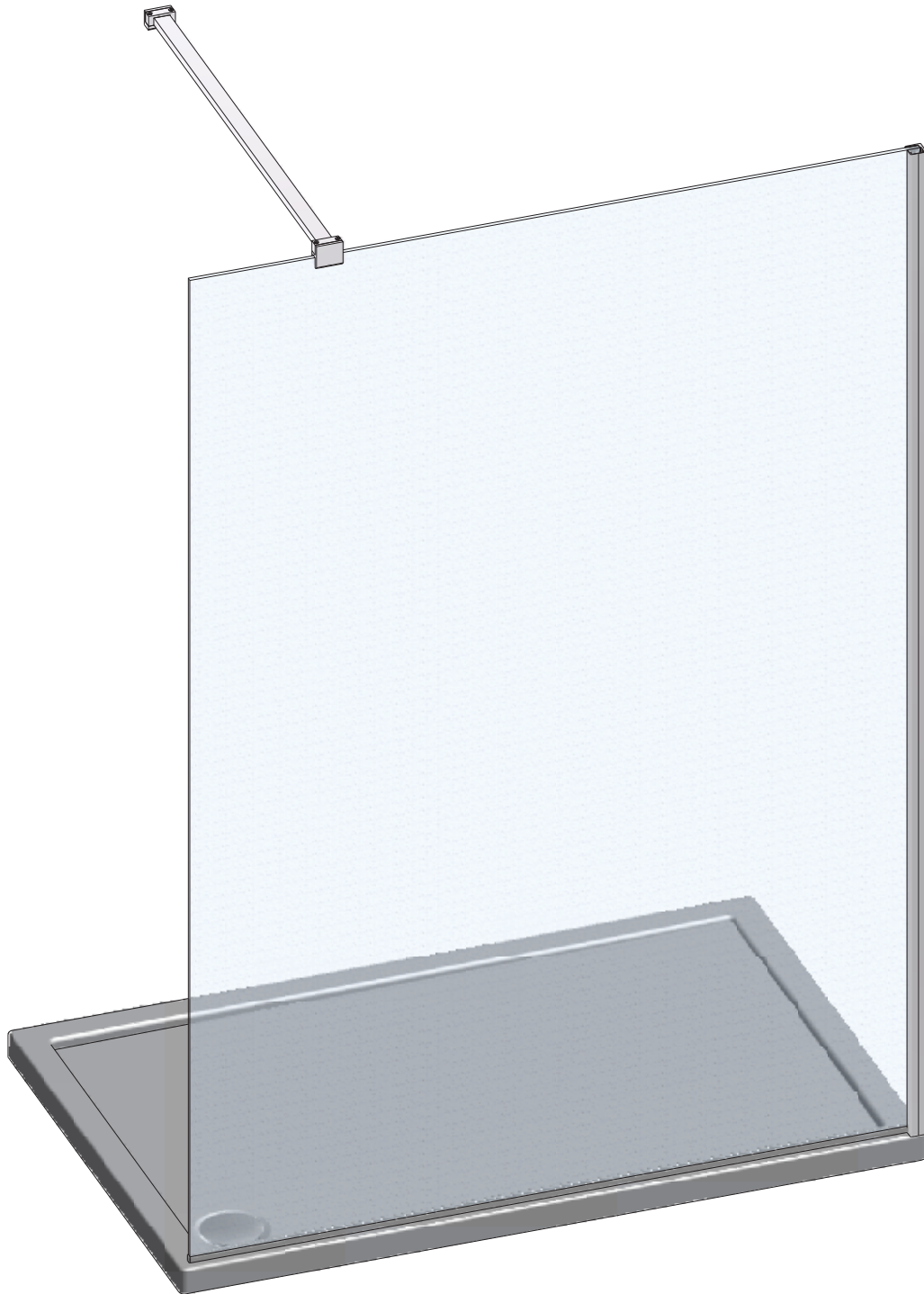
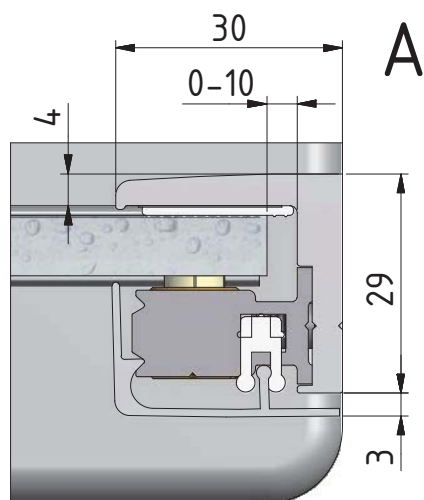
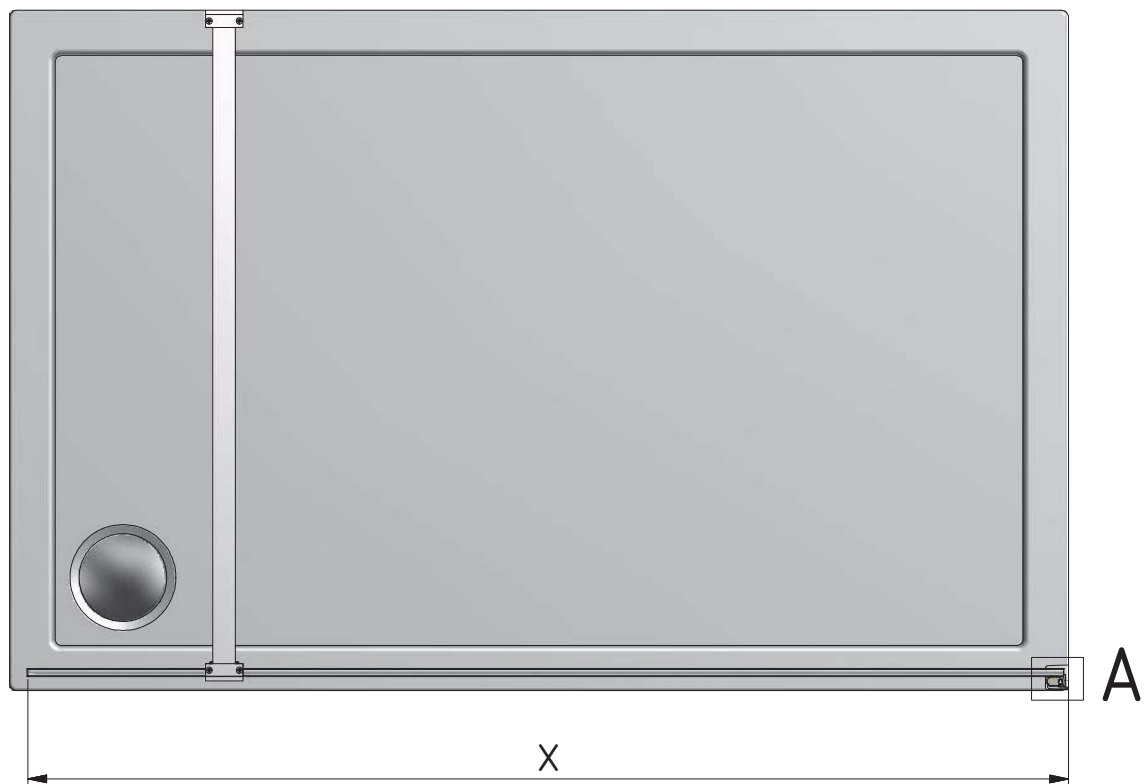


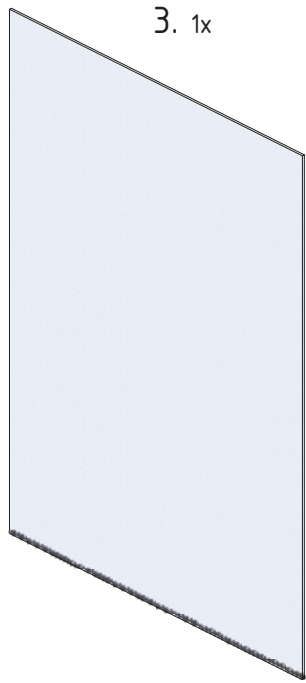
# WALK G







	X mm
900	876-886
1000	976-986
1200	1176-1186
1400	1376-386
1500	1476-1486



3. 1x

4. 1x



5. 1x  
P2665



7. 6x  
M0511



8. 6x  
M0811



9. 4x  
M5974



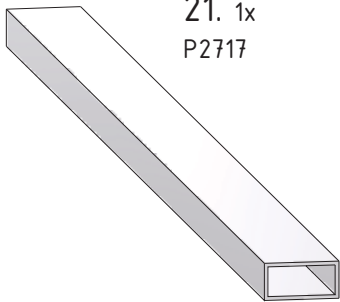
10. 4x  
M5975



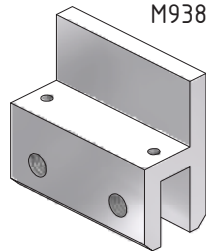
11. 4x  
M8924



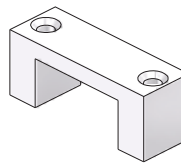
14. 2x  
M9097



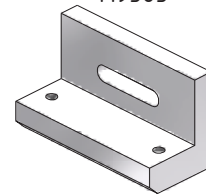
21. 1x  
P2717



22. 1x  
M9383

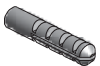


23. 2x  
M9384



24. 1x  
M9385

32. 2x  
MA0618



26. 4x  
M9292



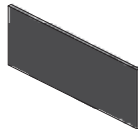
27. 2x  
MA3667



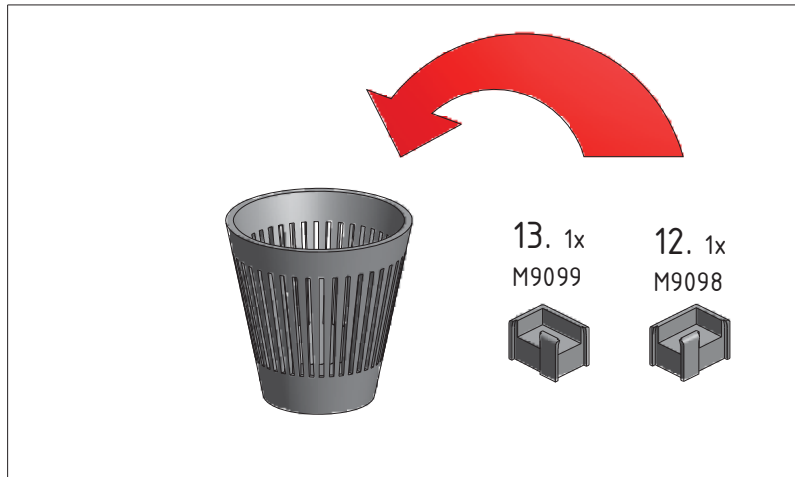
33. 2x  
MA1343



25. 1x  
M9468



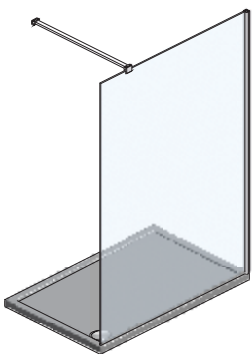
31. 2x  
MA0171



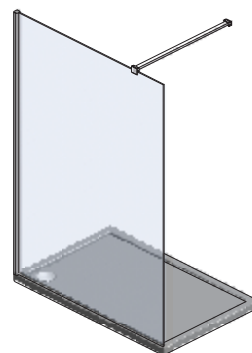
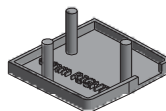
13. 1x  
M9099



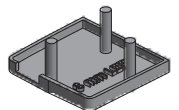
12. 1x  
M9098



28. 1x  
M8938

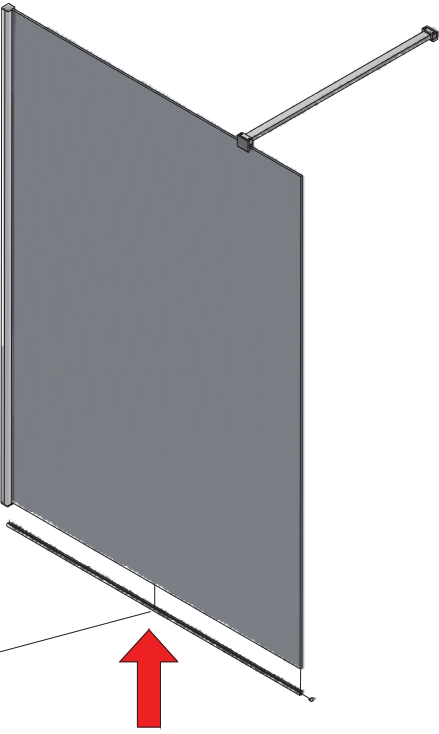
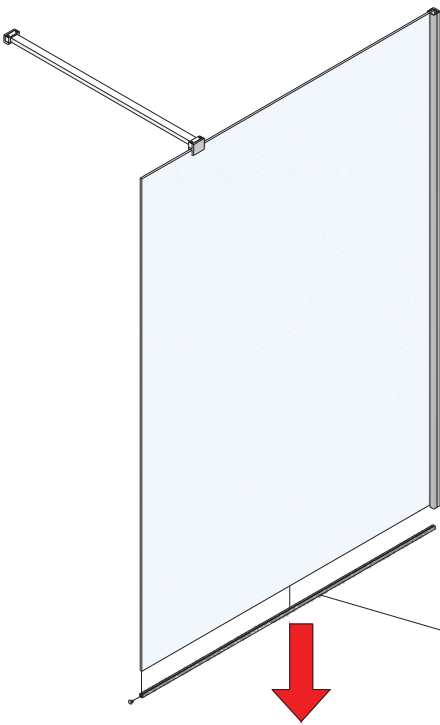
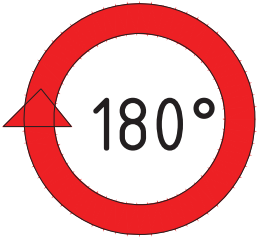
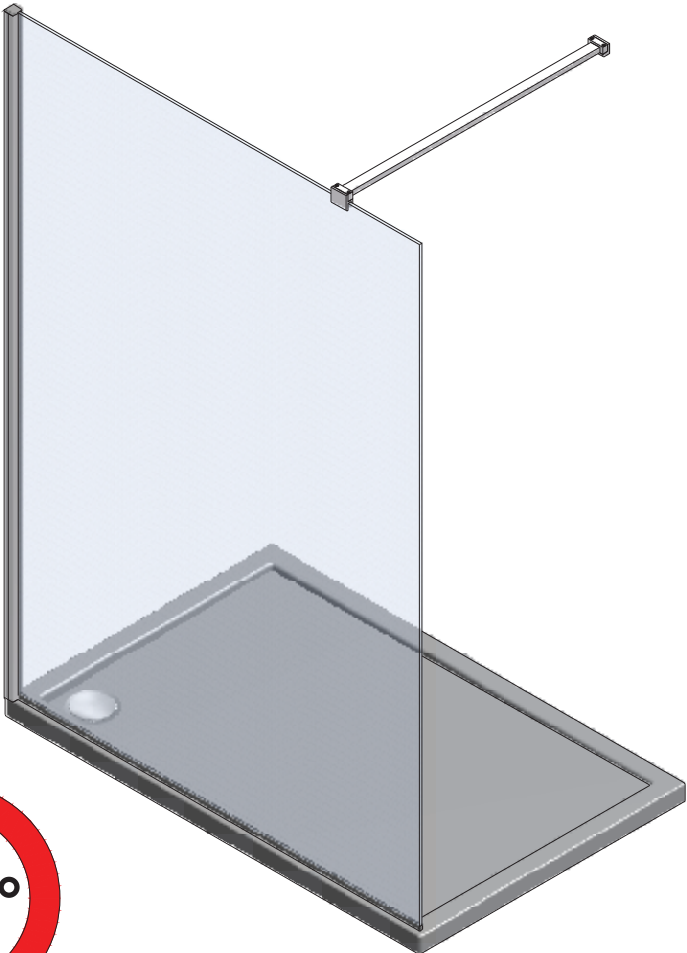
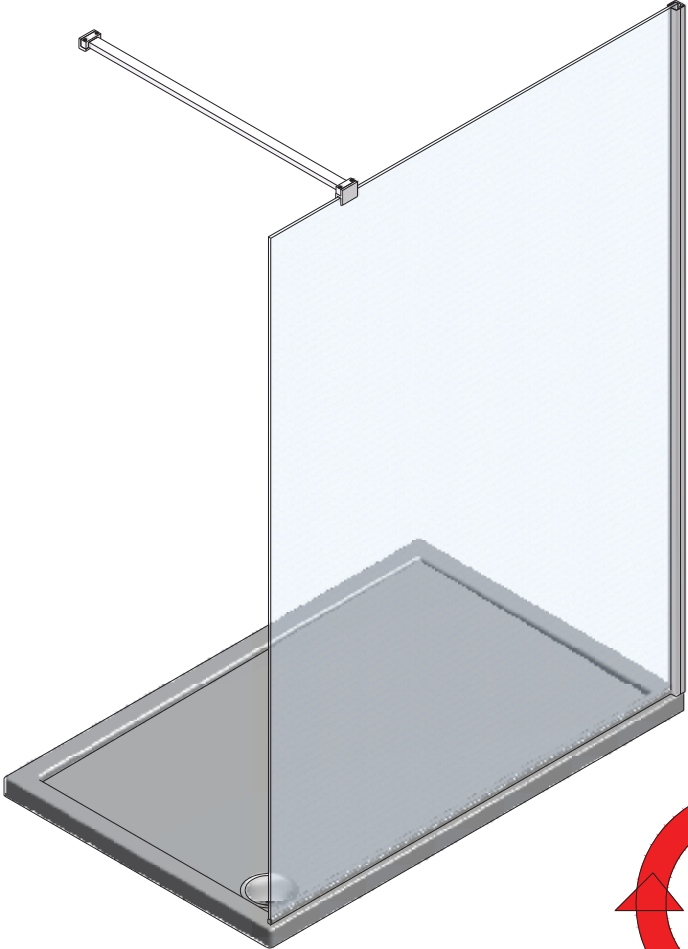
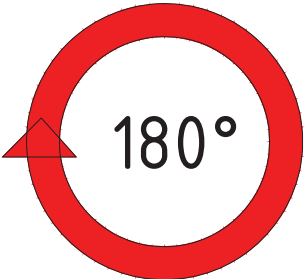


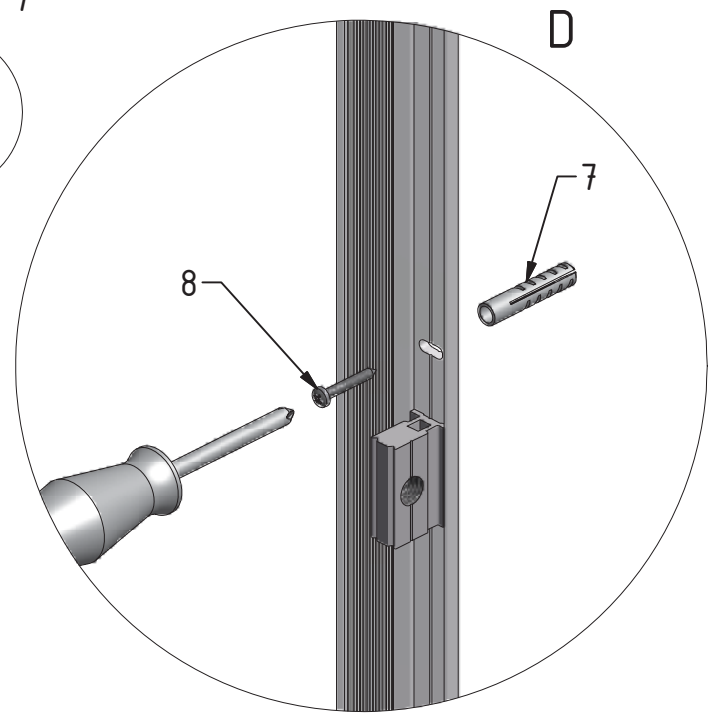
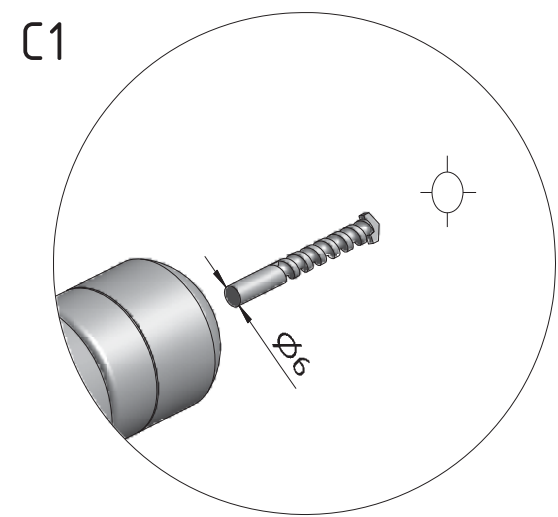
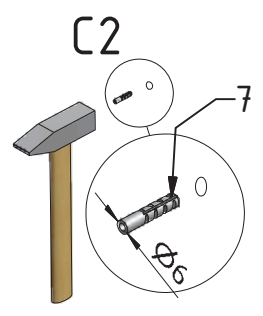
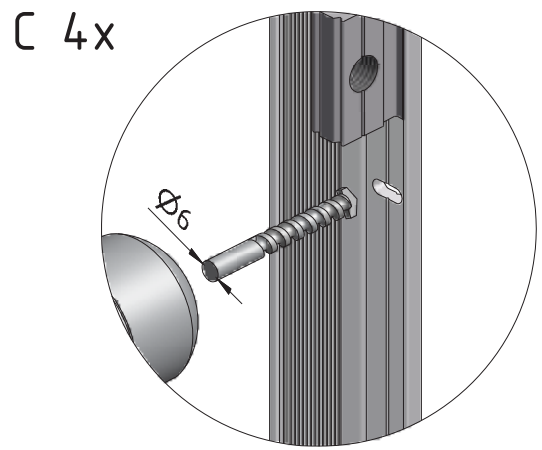
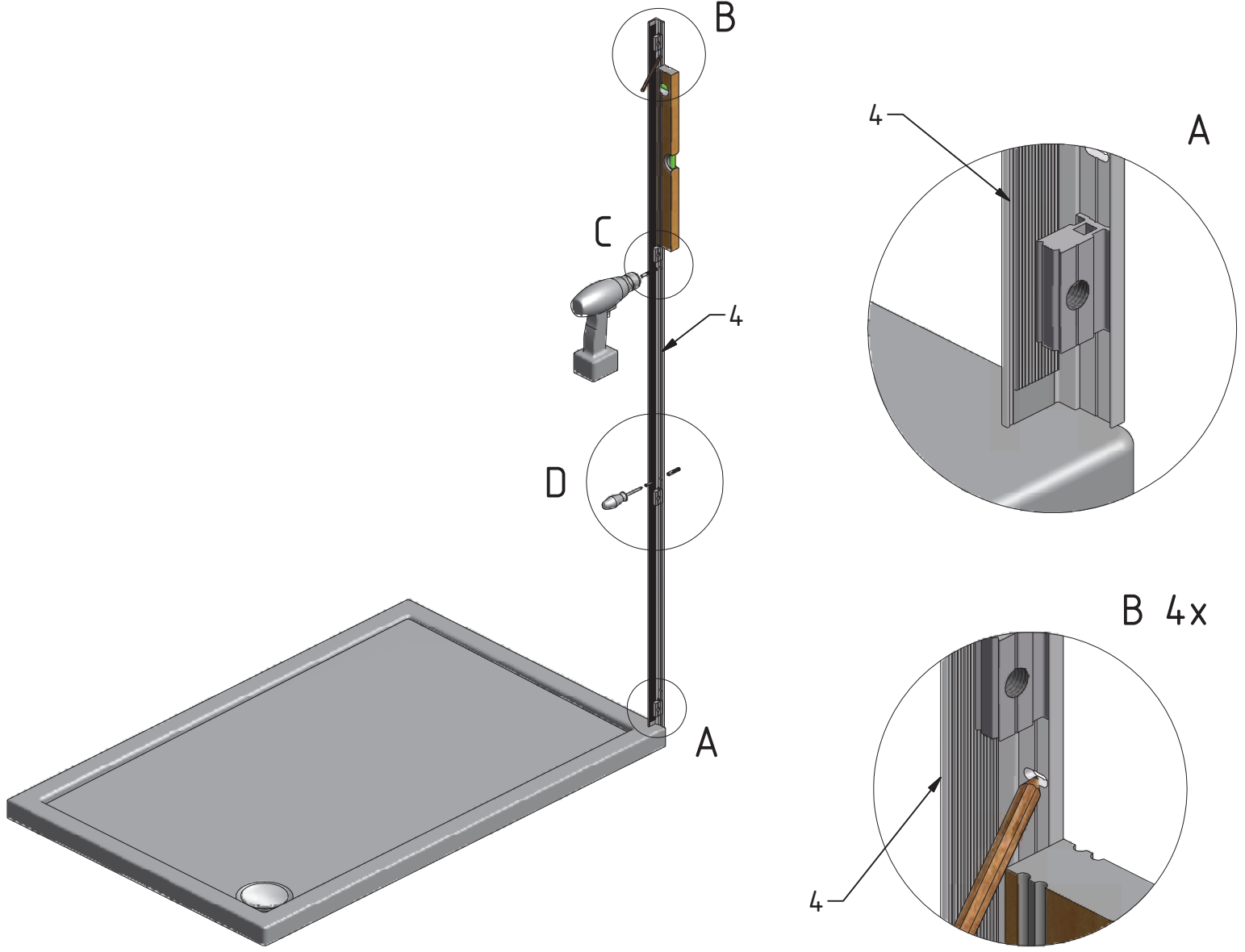
29. 1x  
M8937



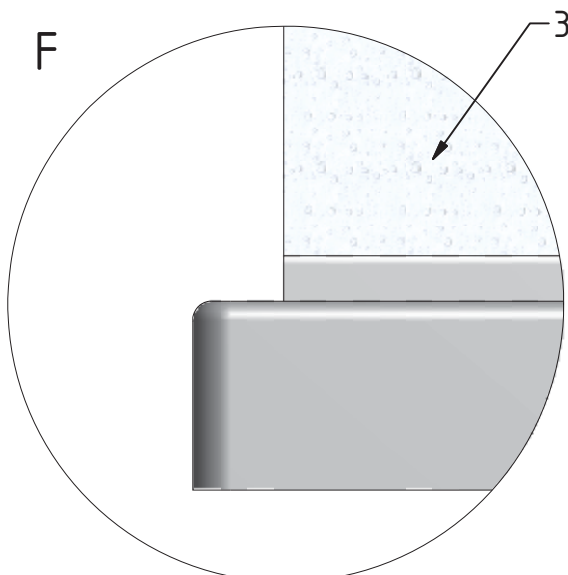
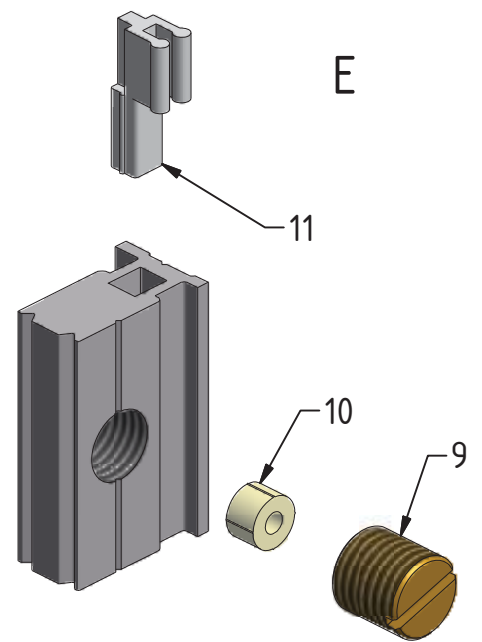
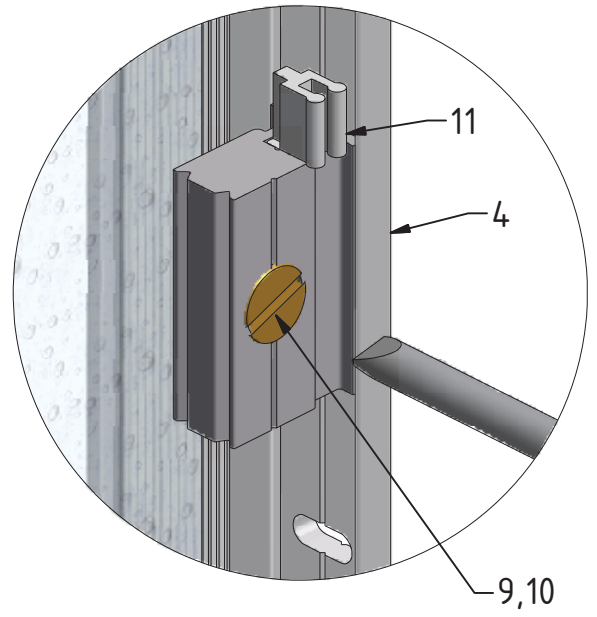
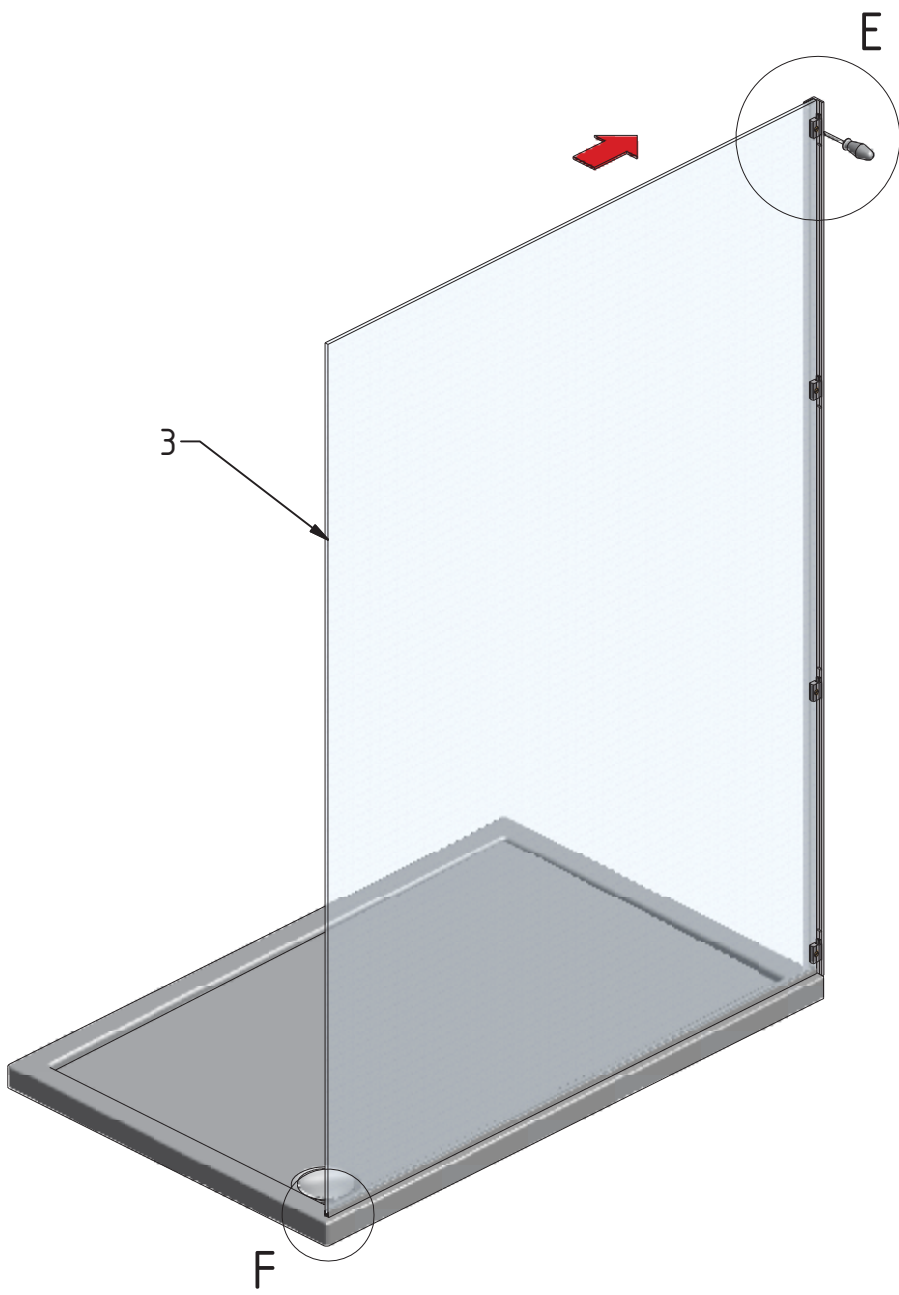
Left version

Right version

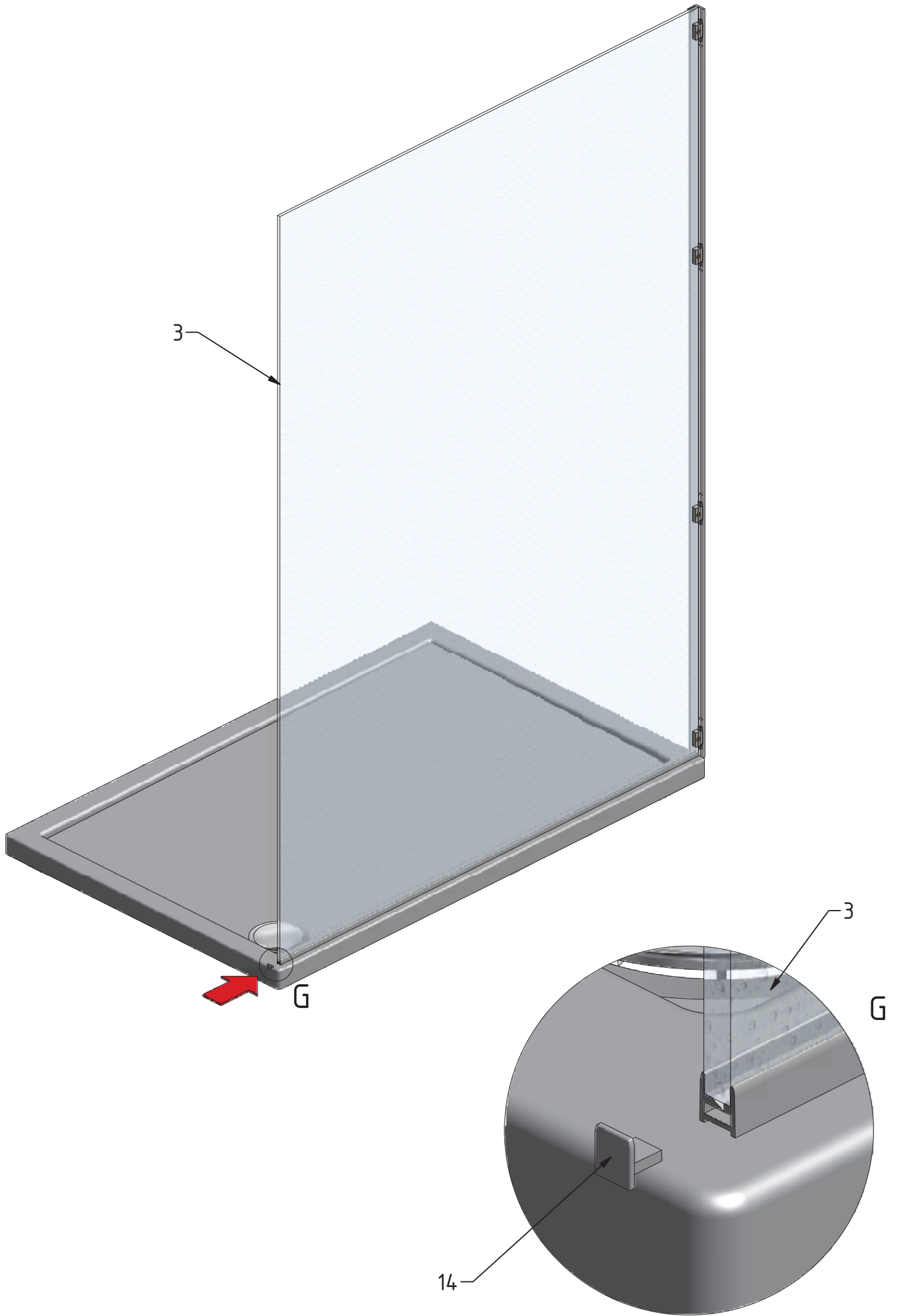




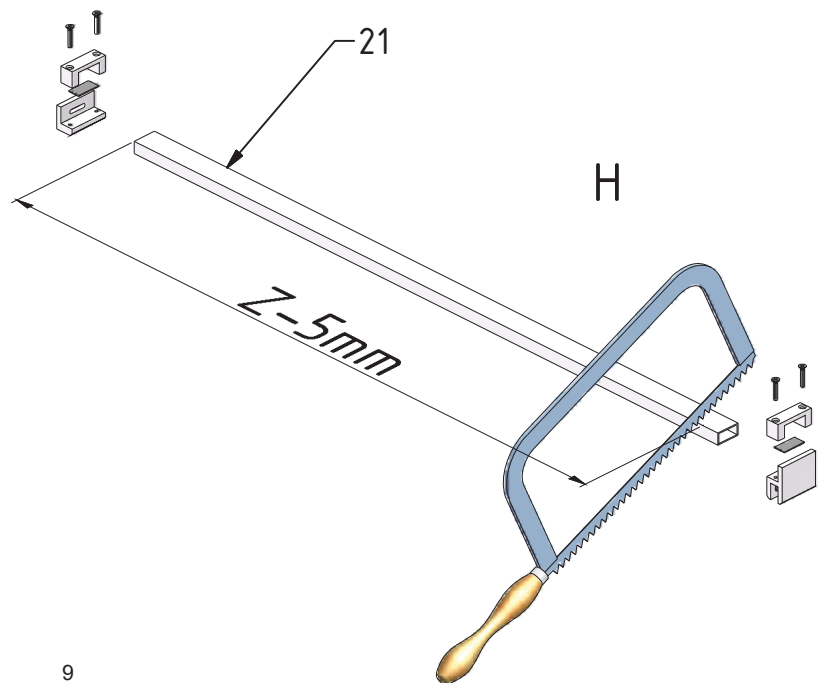
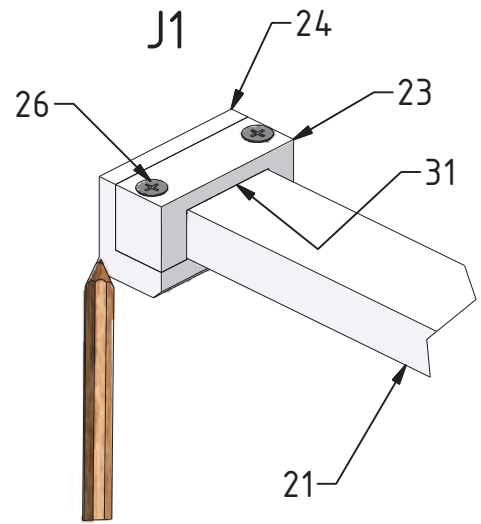
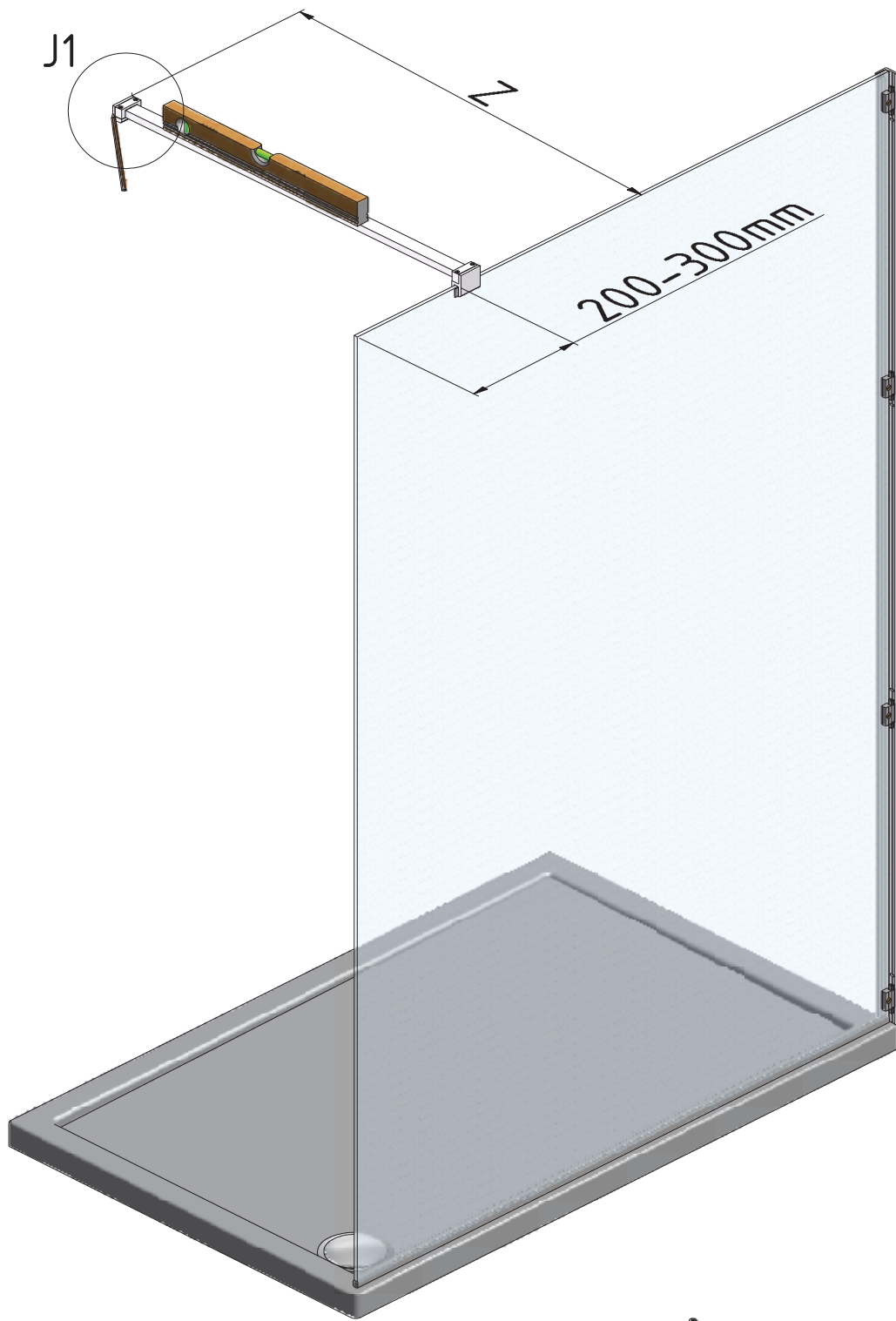
E 4x



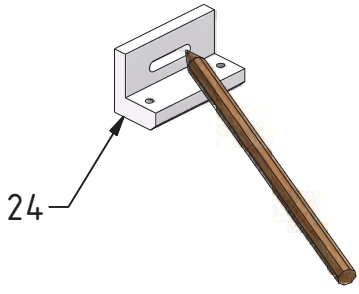




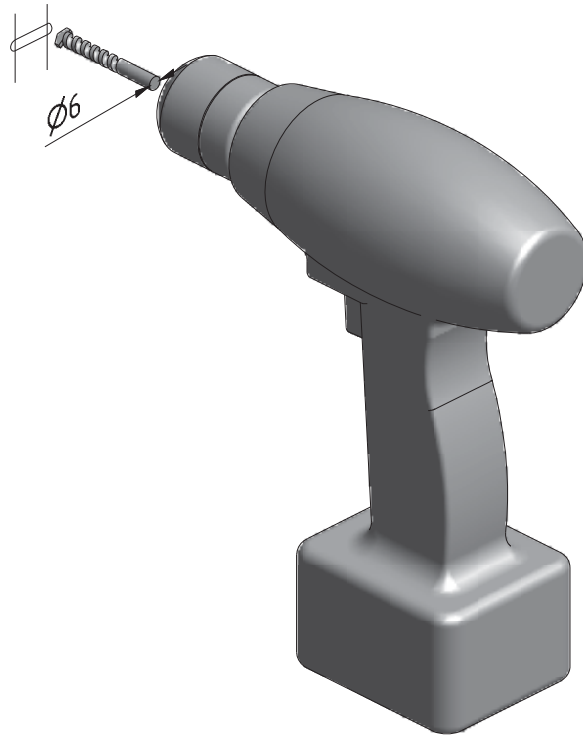




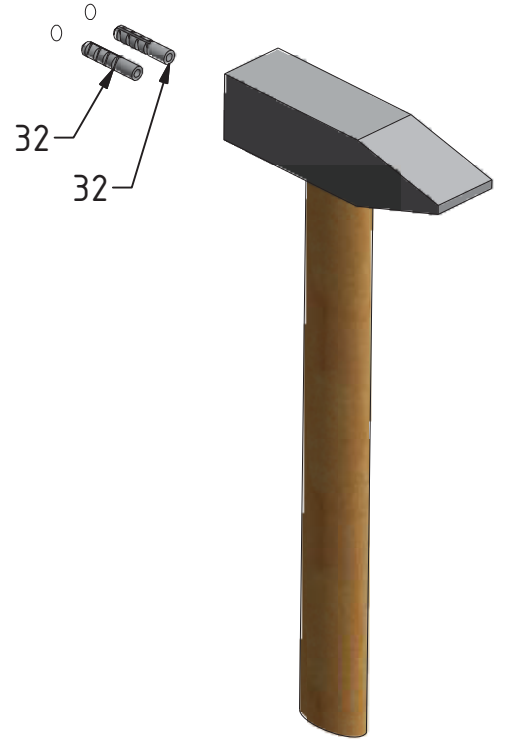
J2



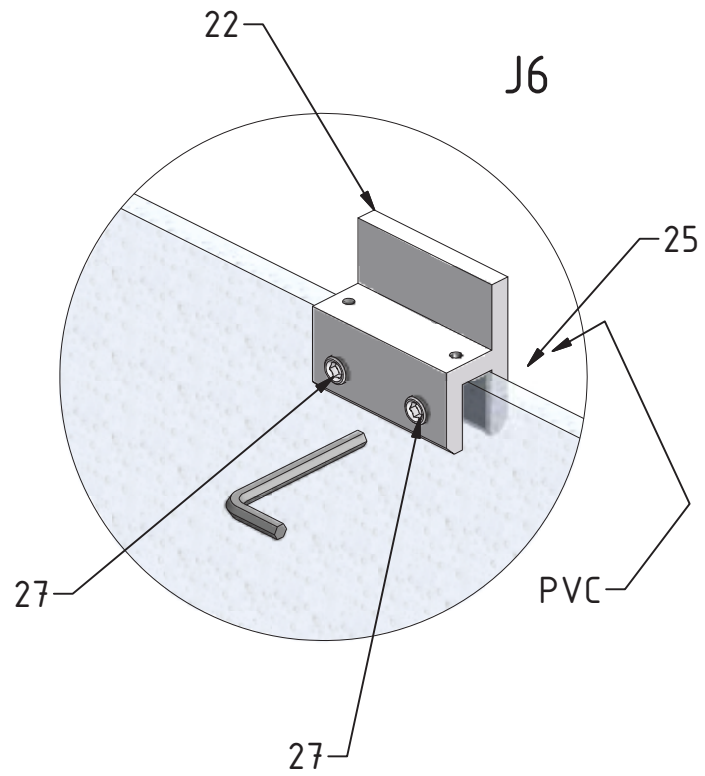
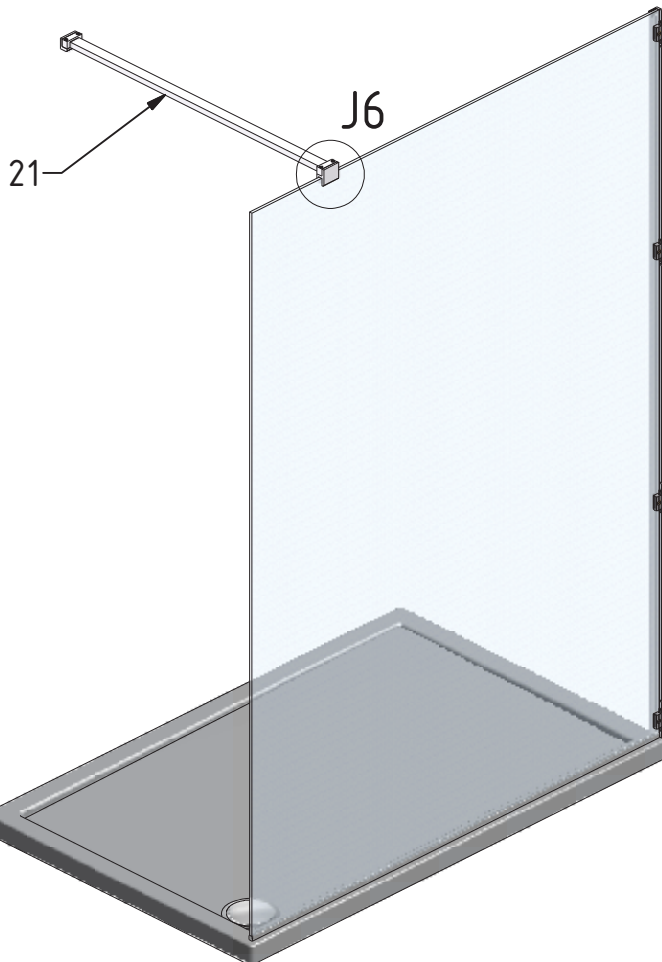
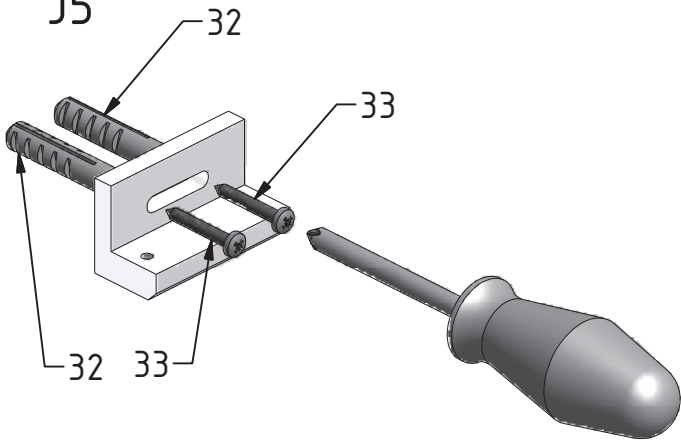
J3

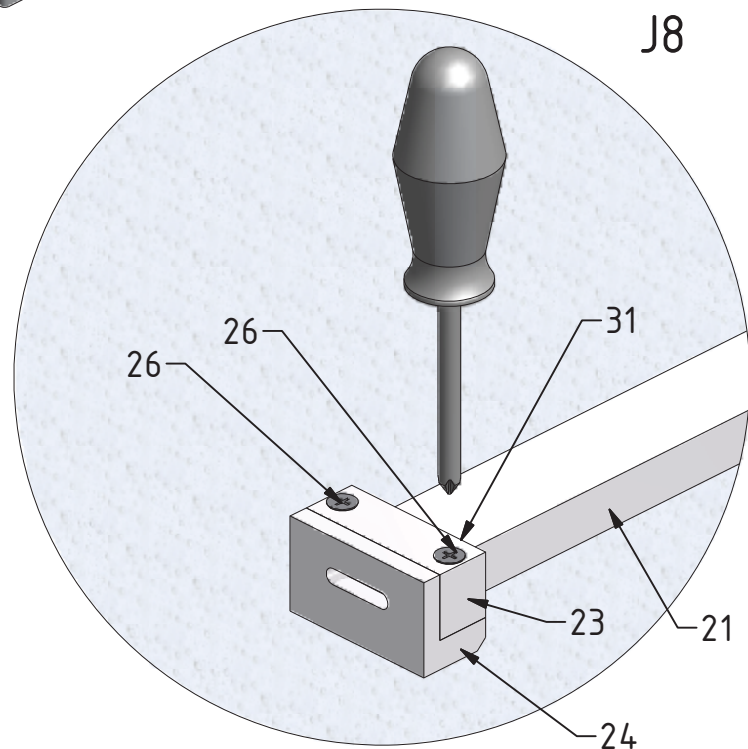
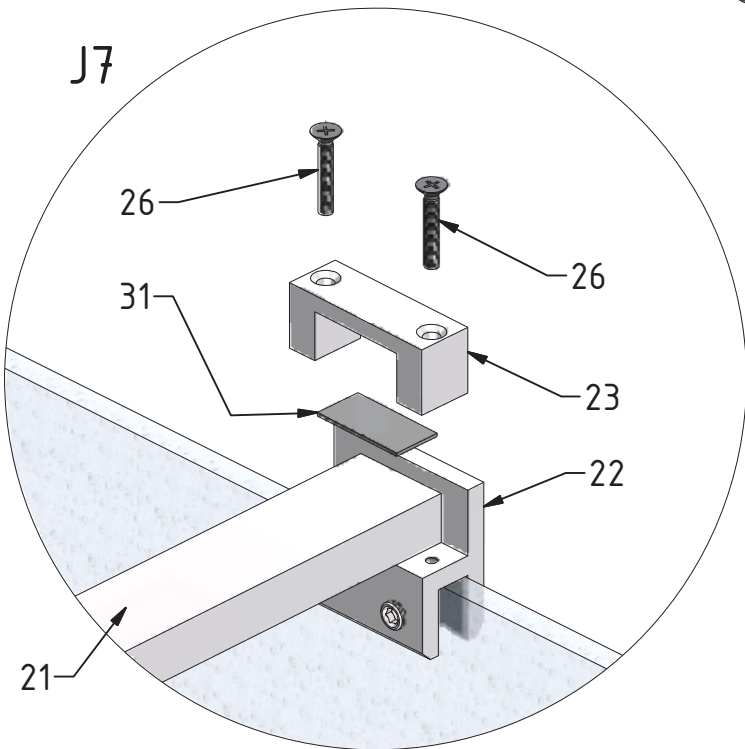
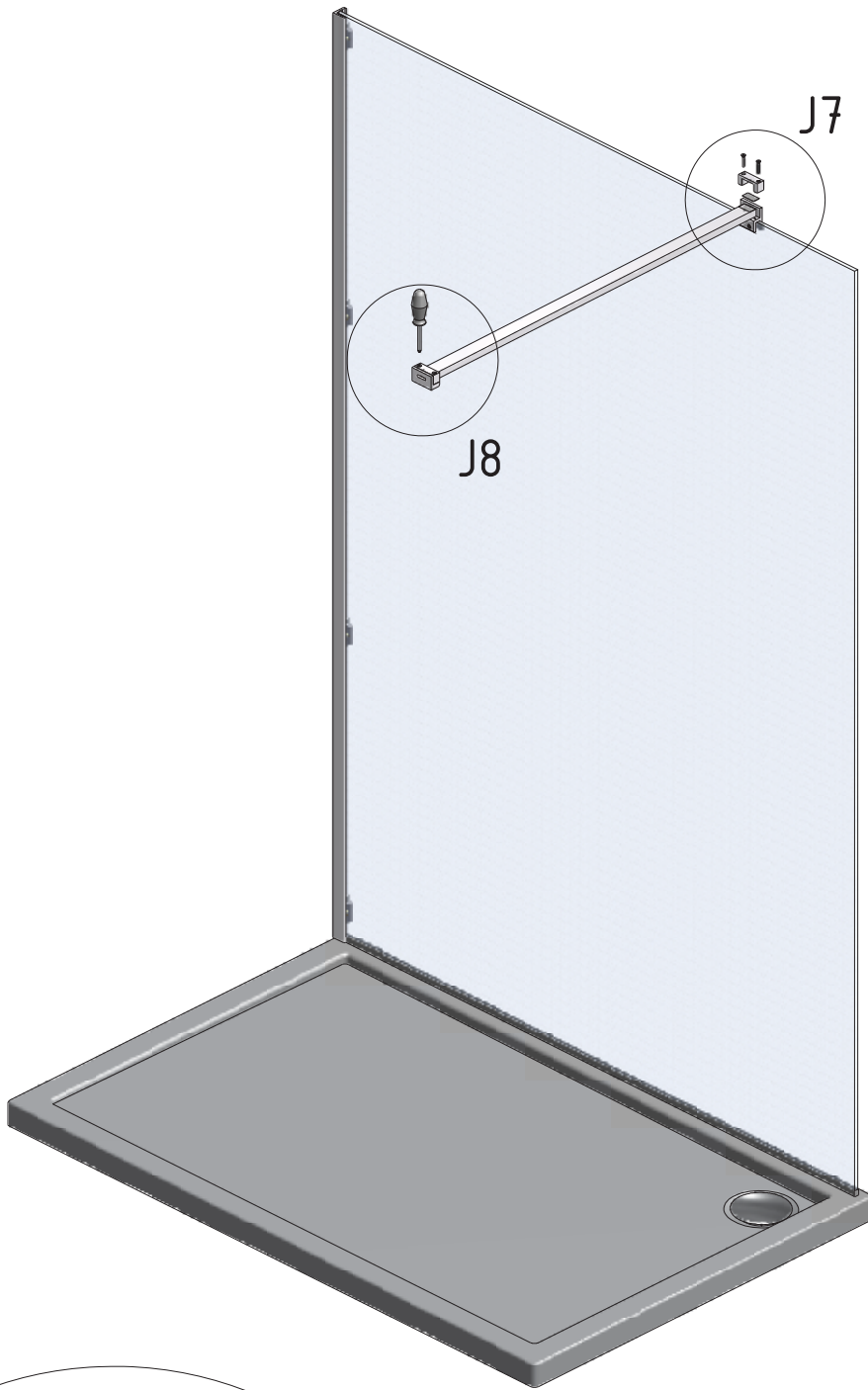


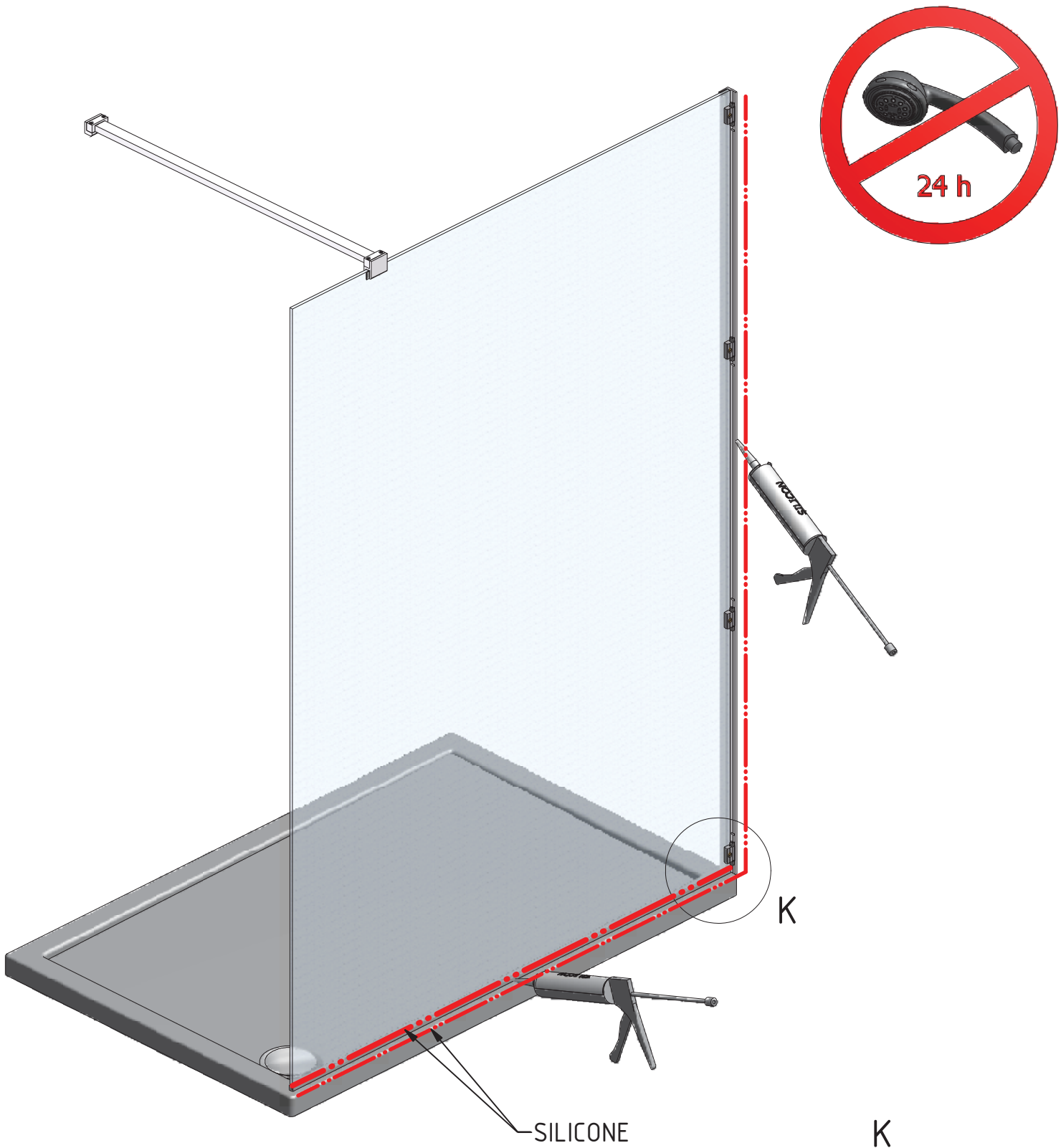
J4



J5



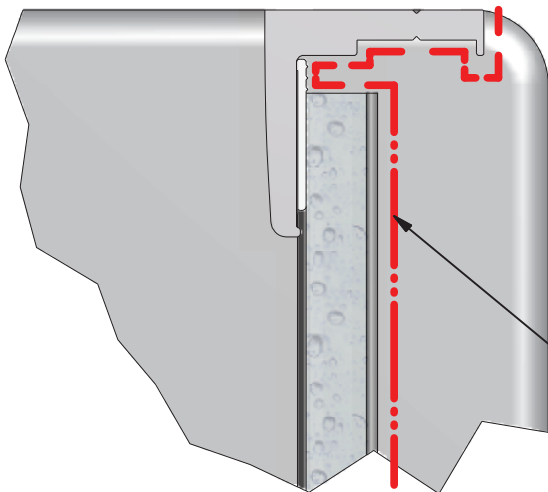




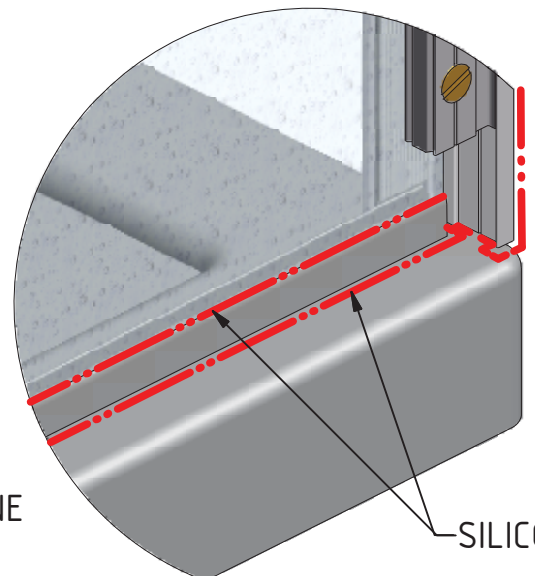
K

SILICONE

K

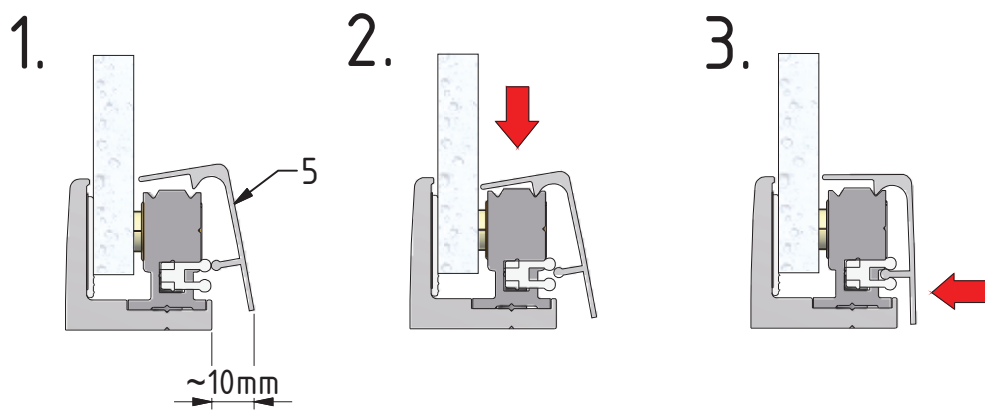
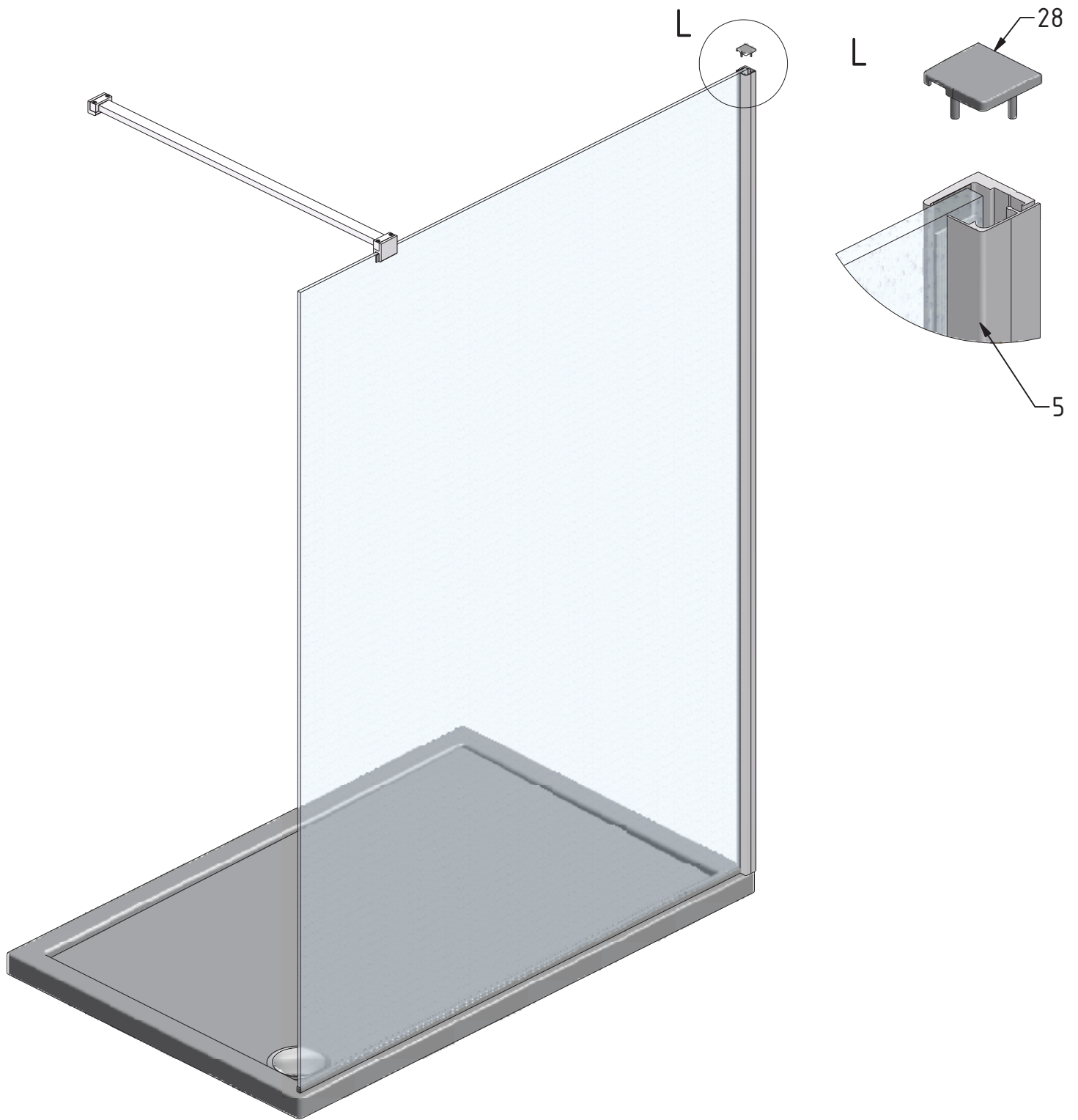


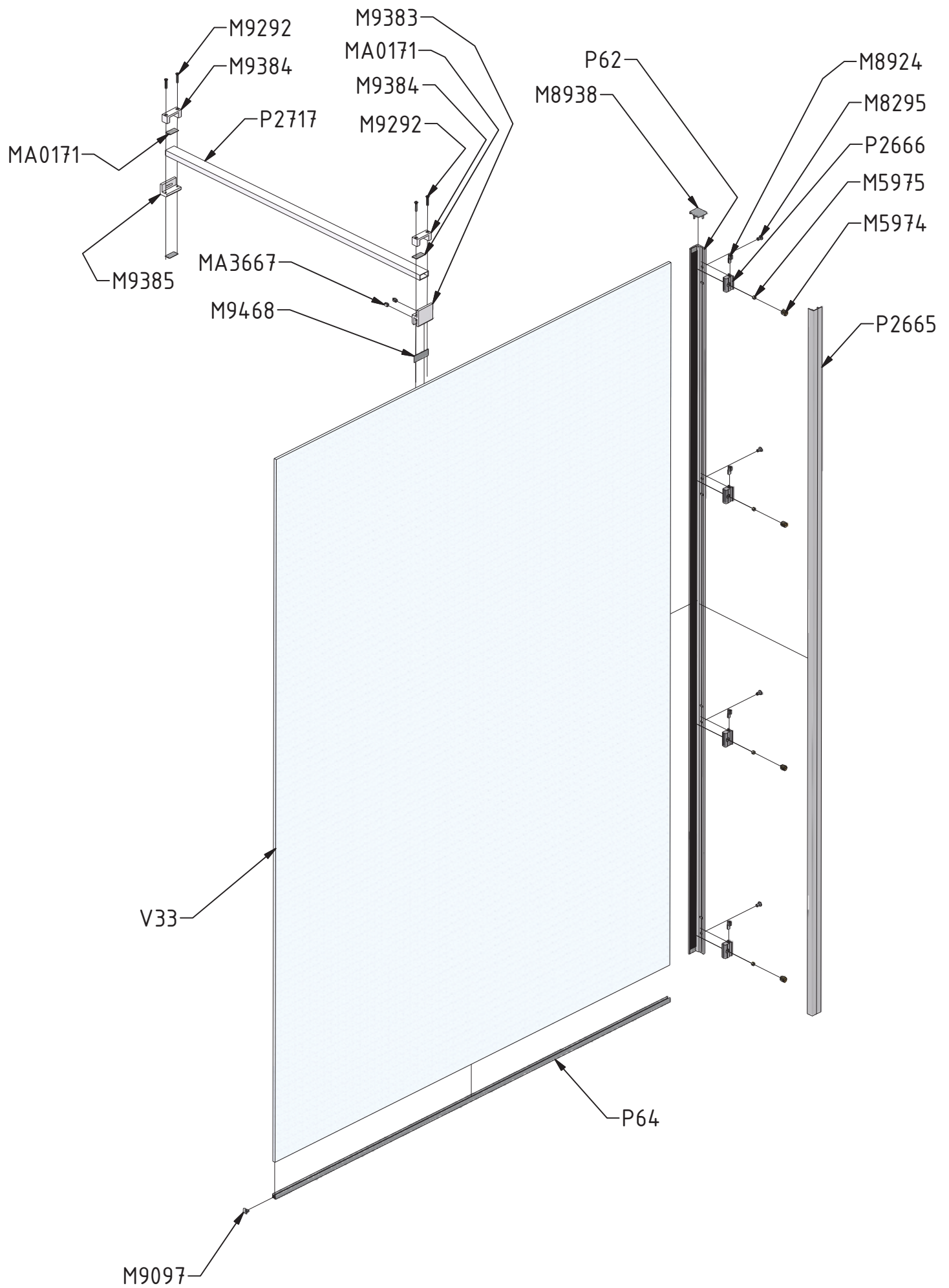
SILICONE



SILICONE







P62			ND01-2361-00
P64	900		P2982
	1000		P2739
	1200		P2740
	1400		P2741
	1500		P2742

V33	900	clear glass	ND03-0474 -00-02
	1000	clear glass	ND03-0374-00-02
	1200	clear glass	ND03-0375-00-02
	1400	clear glass	ND03-0376-00-02
	1500	clear glass	ND03-0377-00-02



