

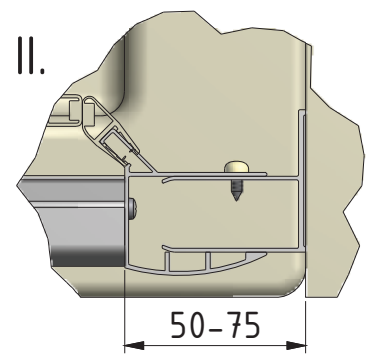
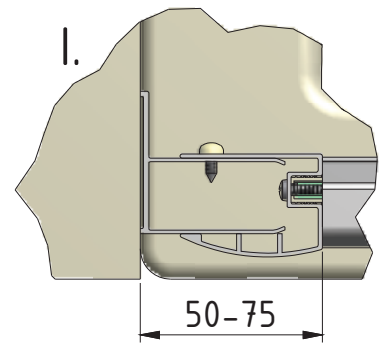
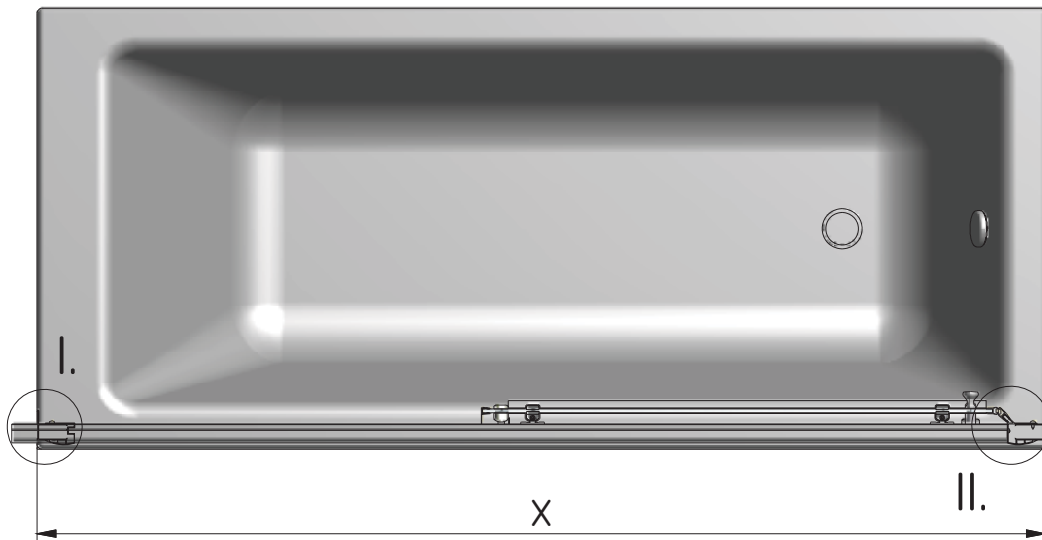
PXV2L(P)



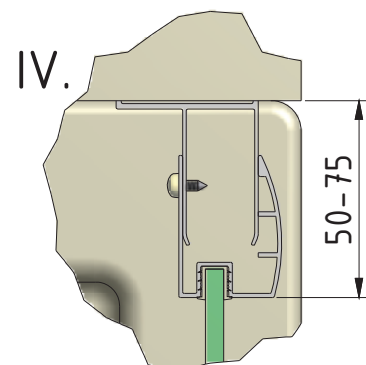
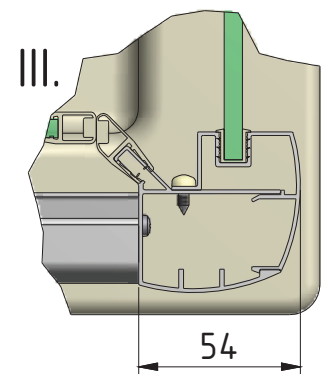
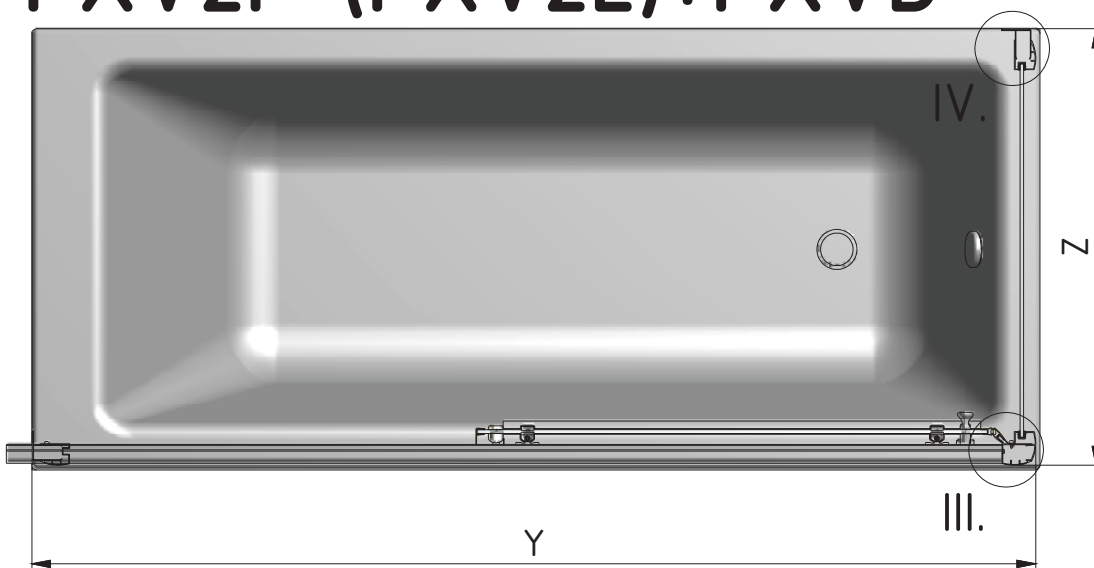
Roth Czech s.r.o.; Czech Republic, 56933 Třebořov 160,
tel.:+420 461 324 301/302
<http://www.roth-czech.cz> e-mail: objednavky@roth-czech.cz

R03
MA2125

PXV2P (PXV2L)



PXV2P (PXV2L)+PXVB



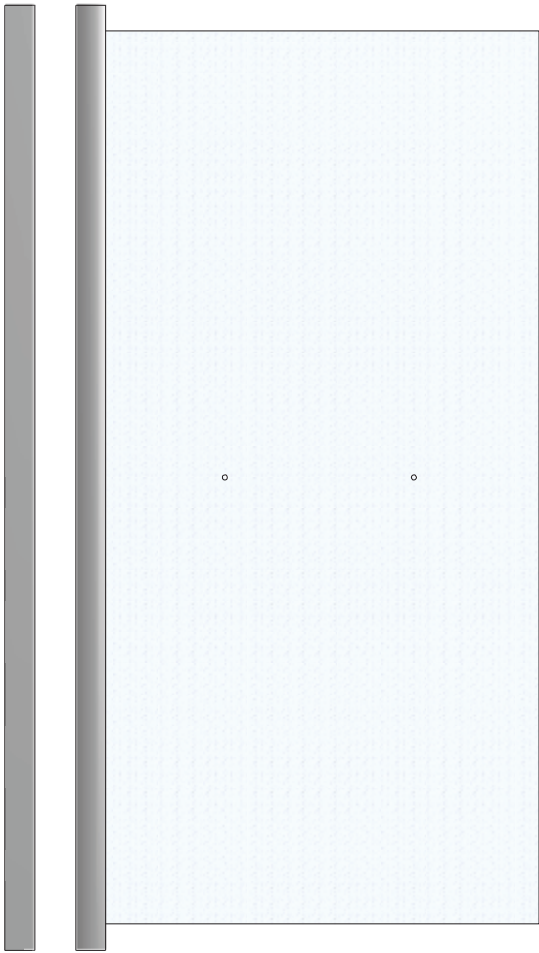
PXV2

TYP	X min	X max	Y min	Y max
L (P) 1500	1480 mm	1530 mm	1485 mm	1510 mm
L (P) 1600	1580 mm	1630 mm	1585 mm	1610 mm
L (P) 1700	1680 mm	1730 mm	1685 mm	1710 mm
L (P) 1800	1780 mm	1830 mm	1785 mm	1810 mm

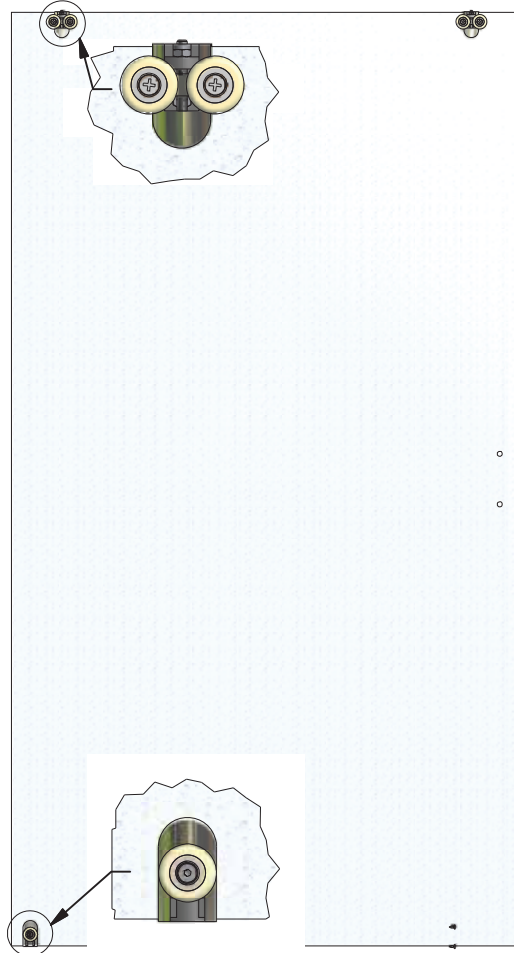
PXVB

TYP	Z min	Z max
700	680 mm	705 mm
750	730 mm	755 mm
800	780 mm	805 mm

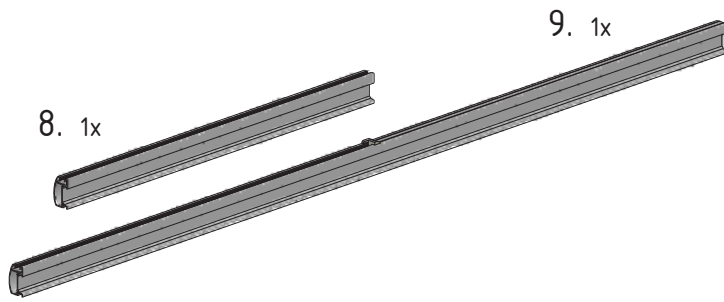
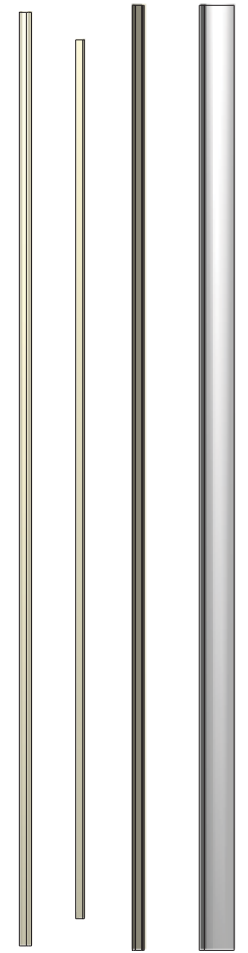
1. 2x 2. 1x



3. 1x



4. 1x 5. 2x 6. 1x 7. 1x



8. 1x

9. 1x



10. 2x

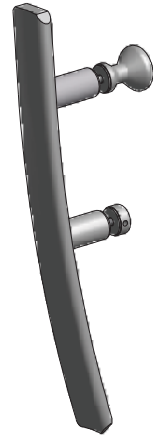


11. 1x

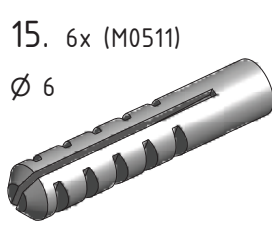
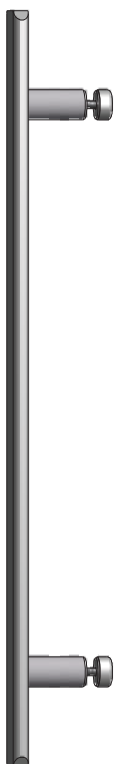


12. 1x

13. 1x (M8824)



14. 1x (M9035)



15. 6x (M0511)
Ø 6



16. 6x (M0795)
Ø 3,5x38



17. 6x (M0794)
Ø 3,5x32



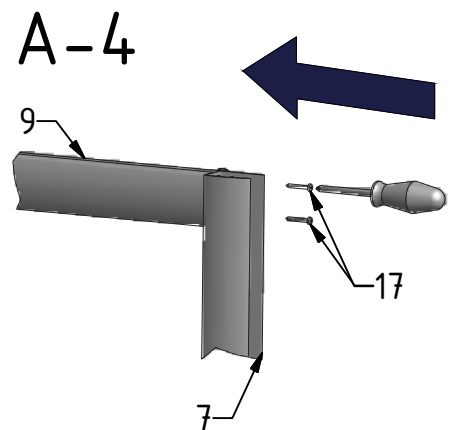
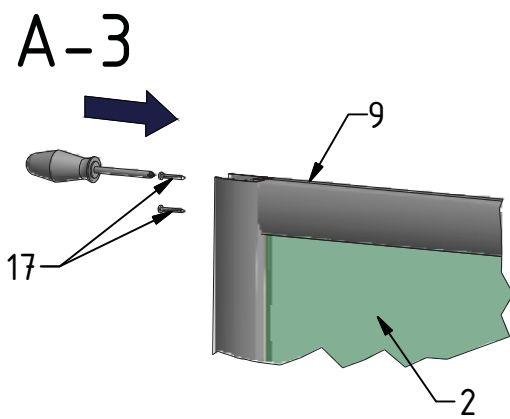
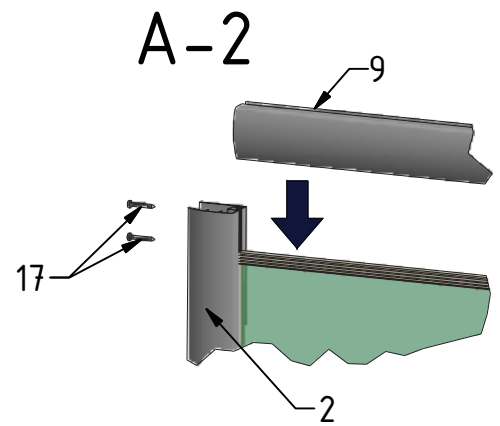
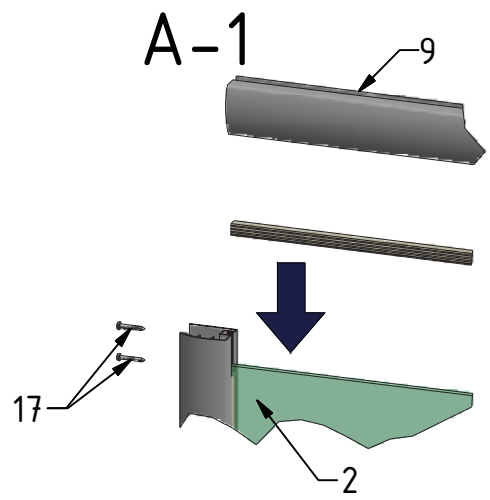
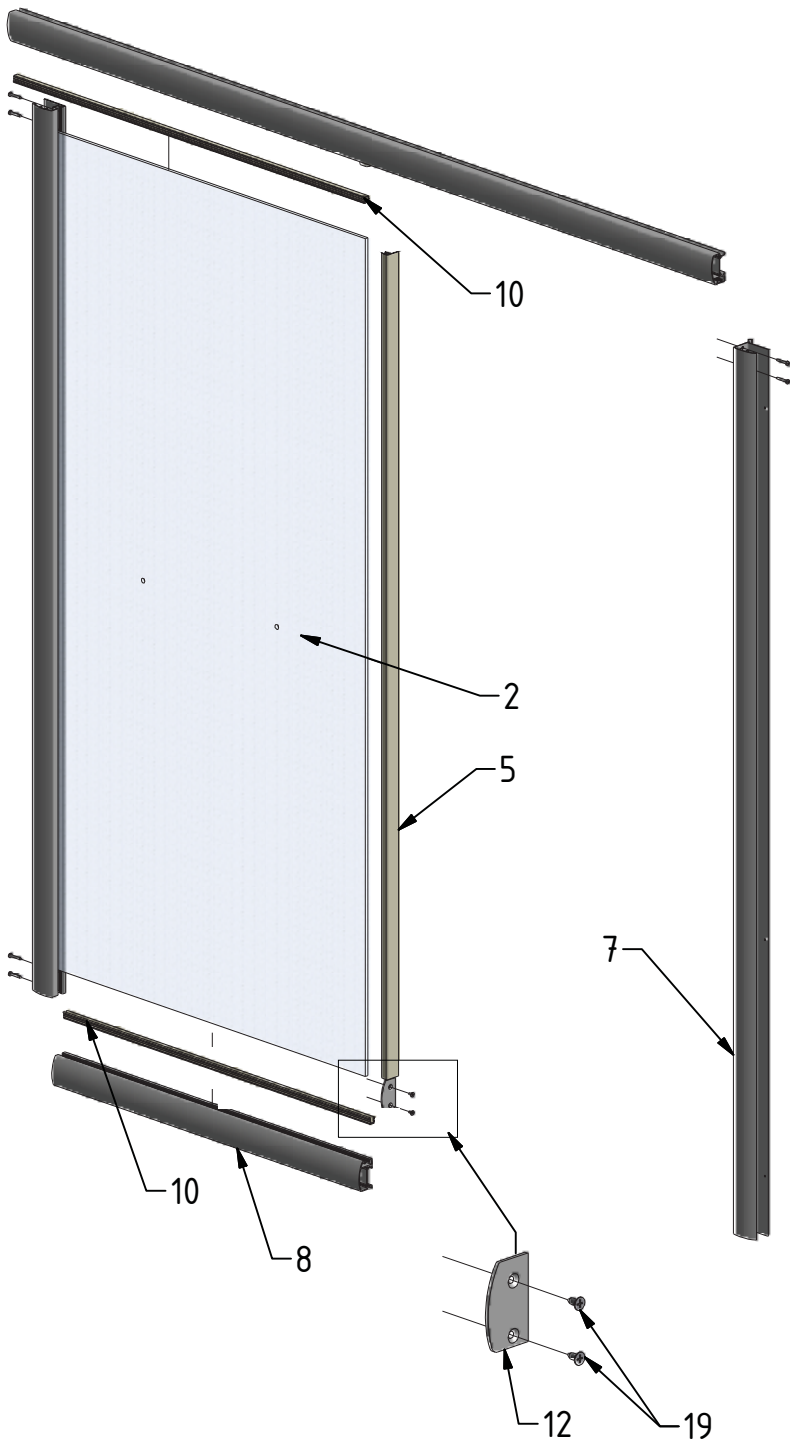
18. 6x (M0806)
Ø3,5x9,5

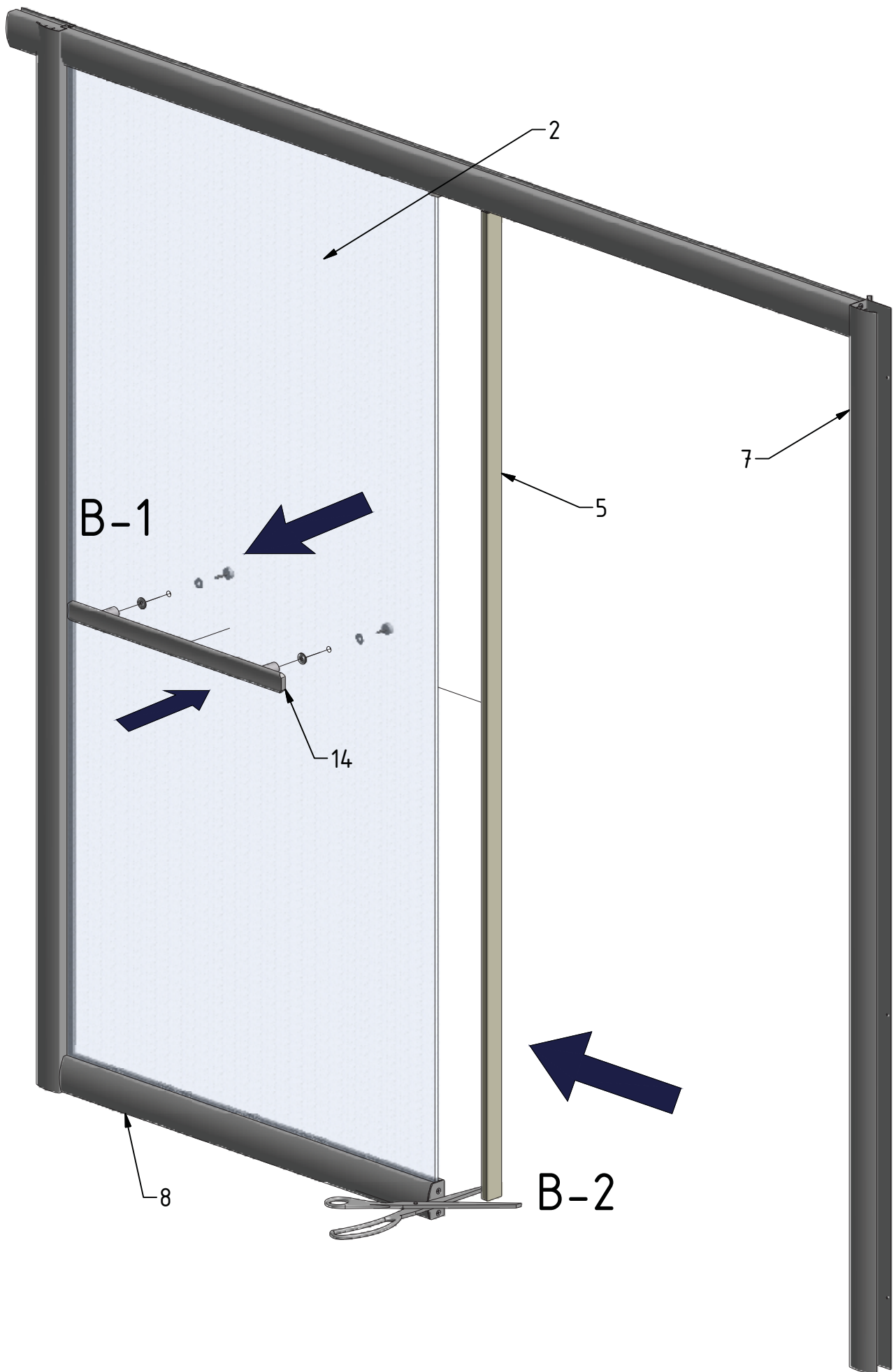


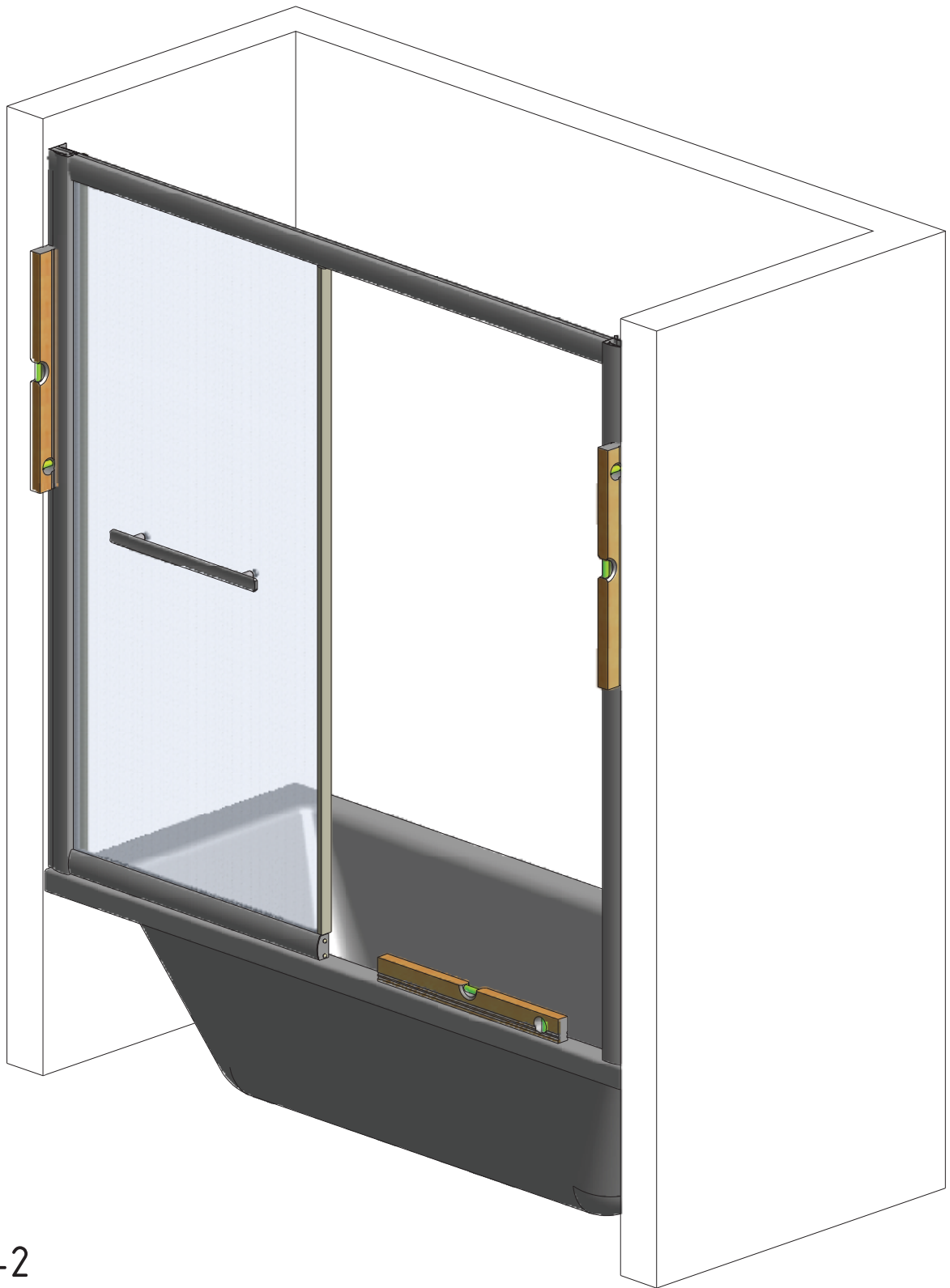
19. 2x (M0808)
Ø3,5x9,5



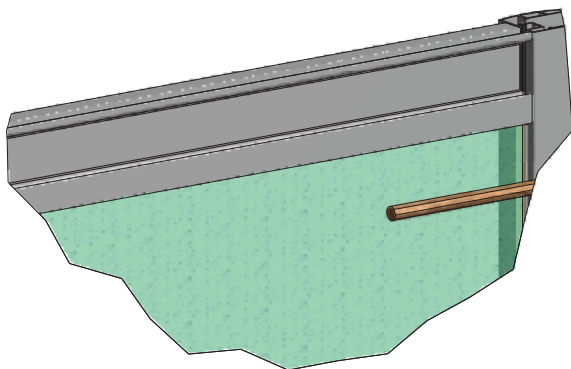
20. 6x (M1907)



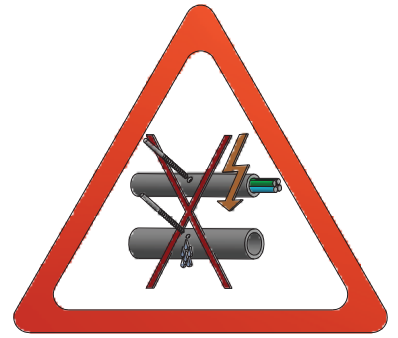
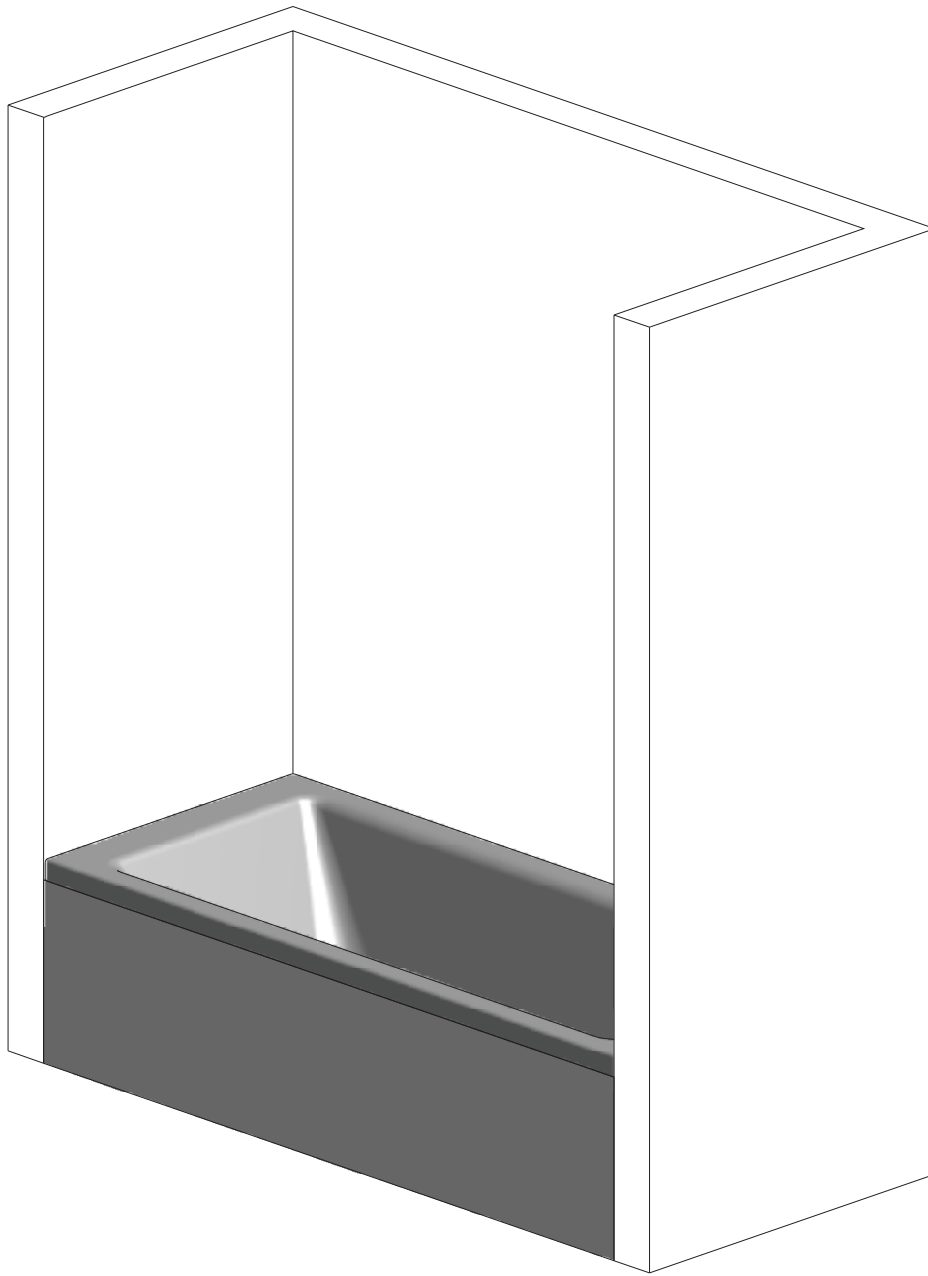




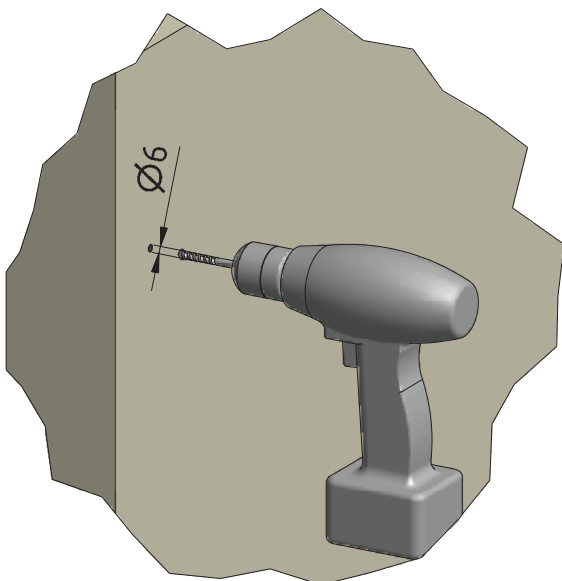
C-2



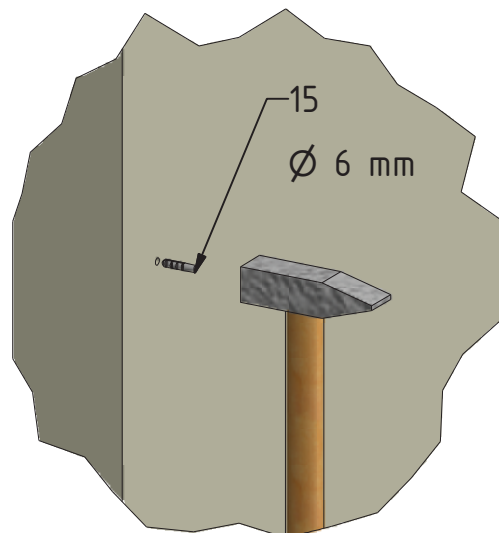
6x



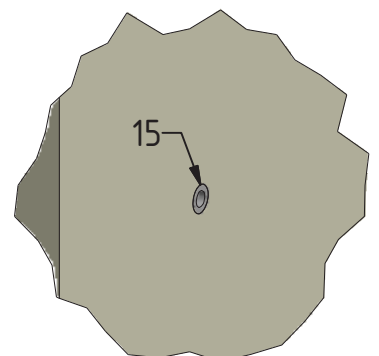
D-1
6 x

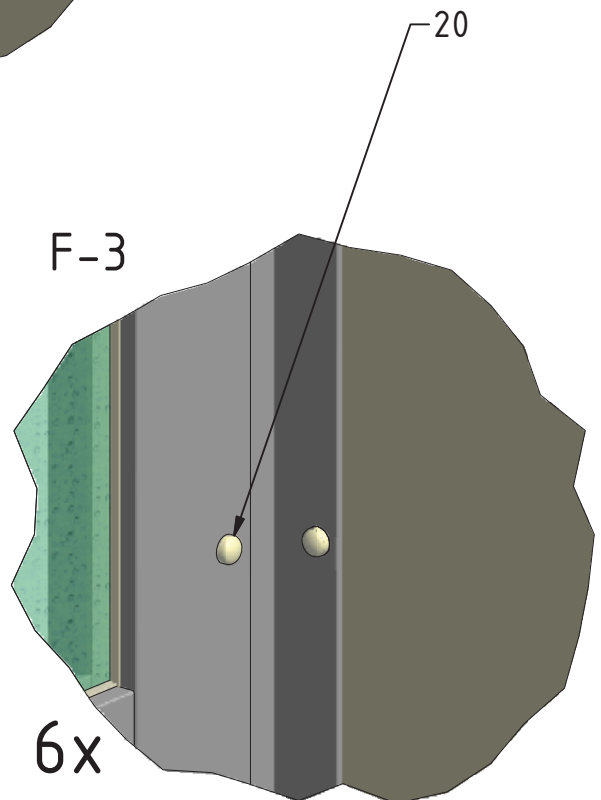
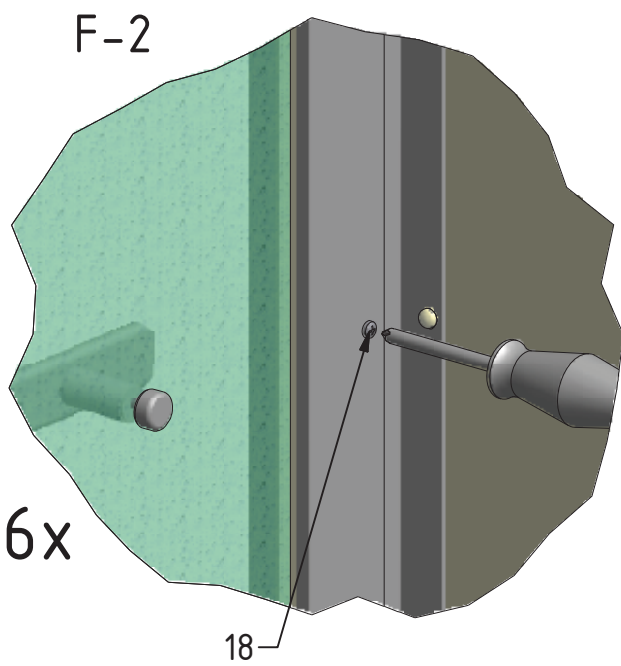
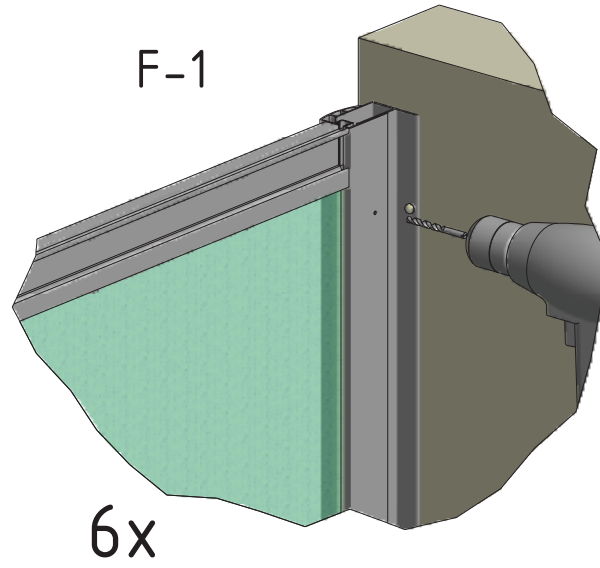
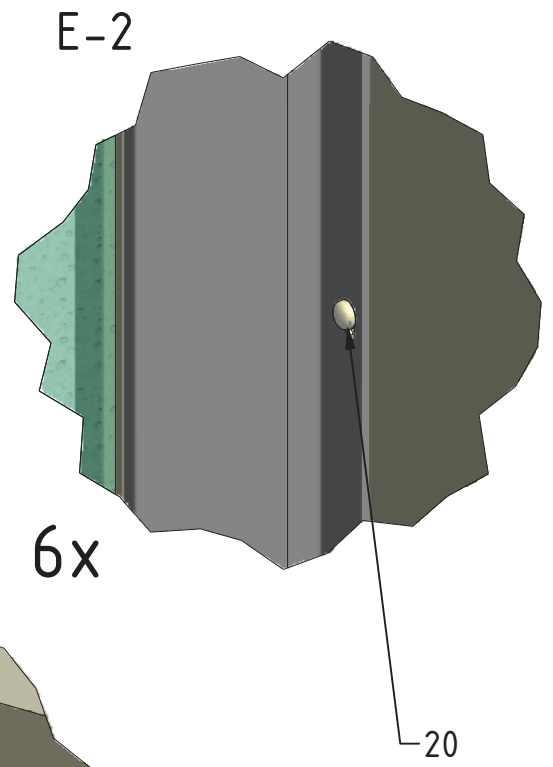
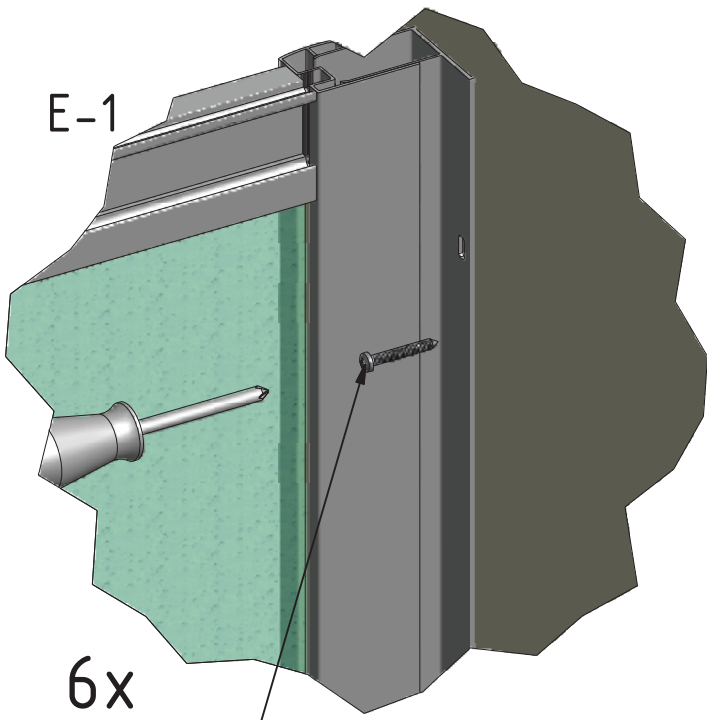


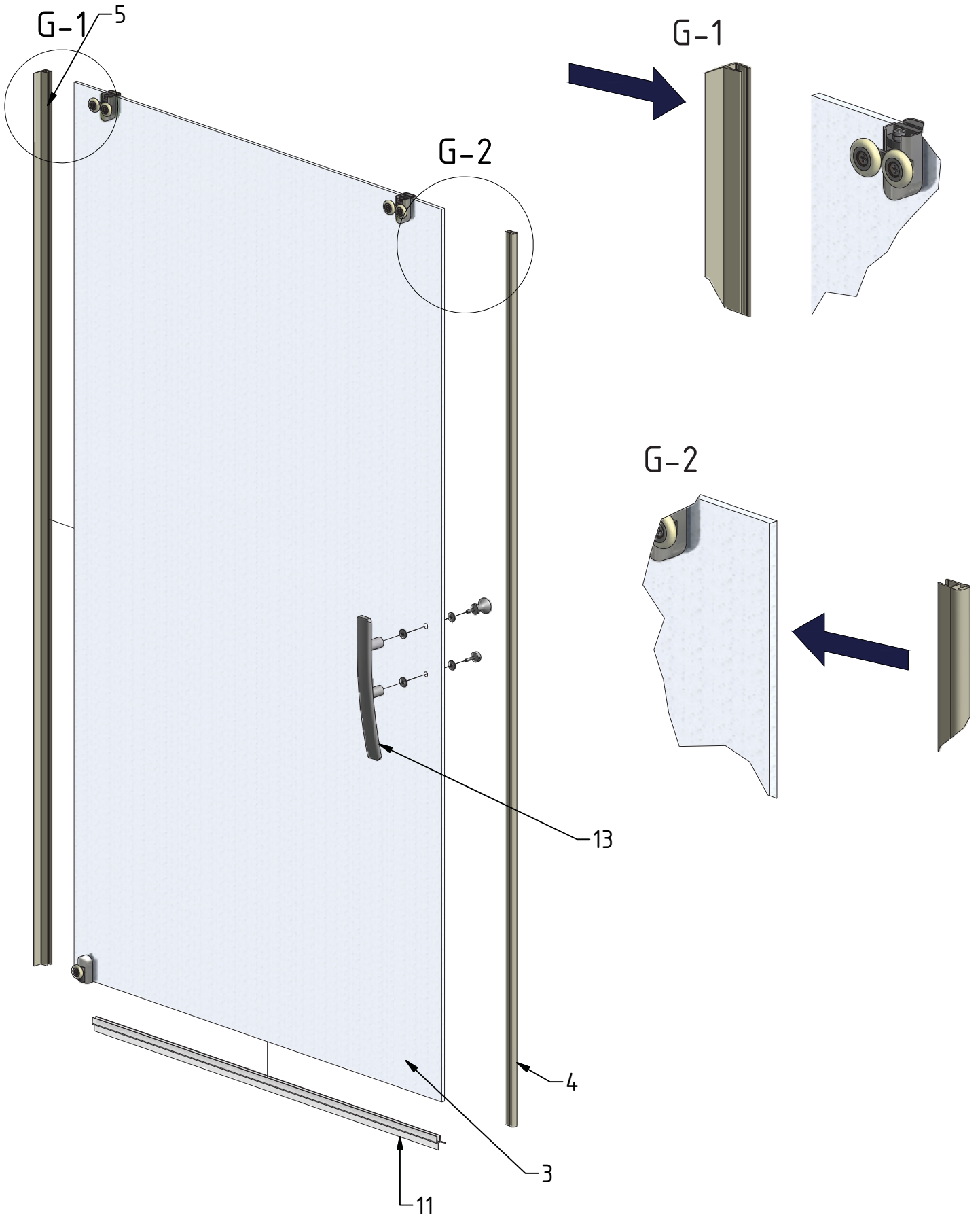
D-2
6 x



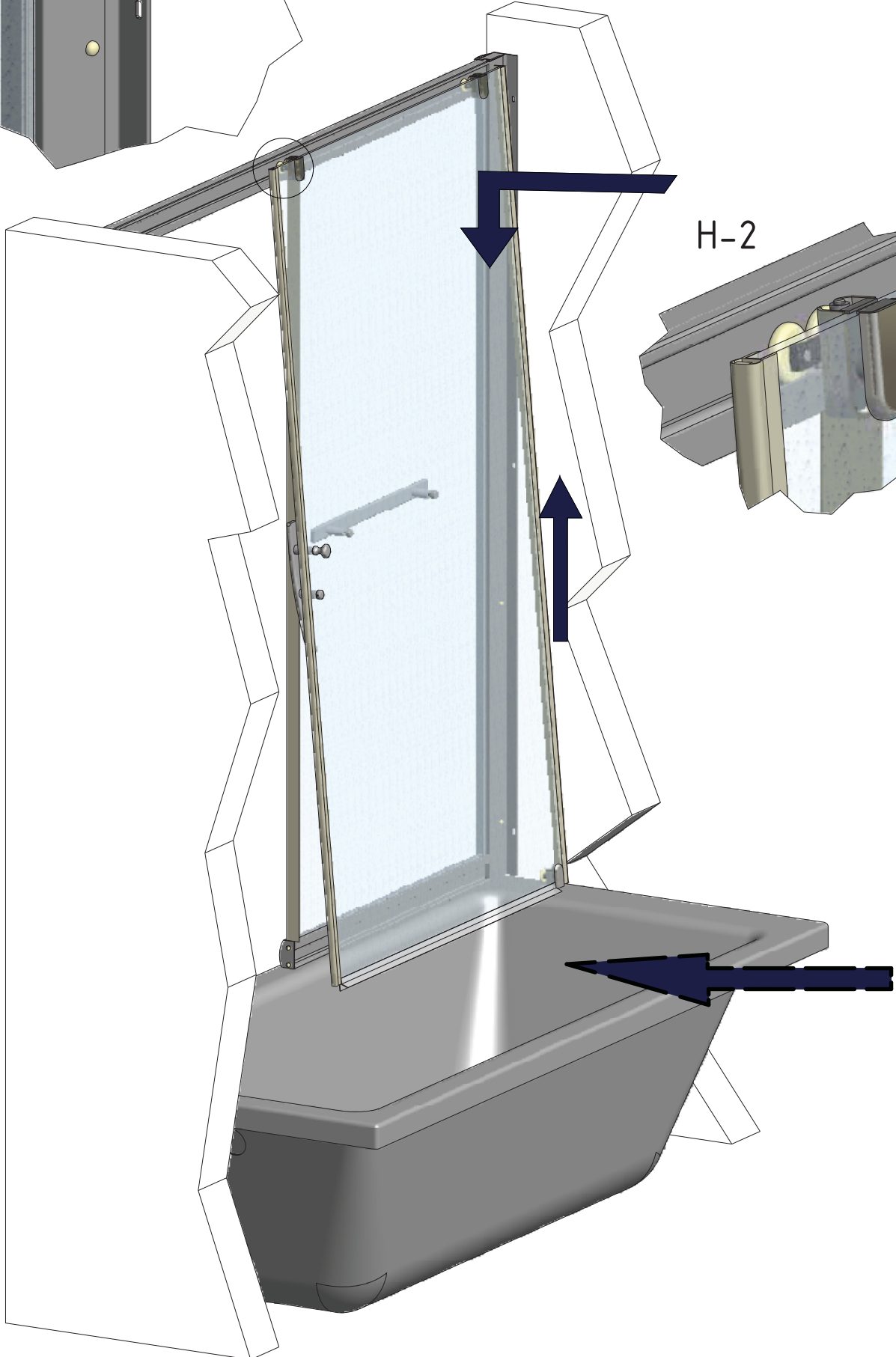
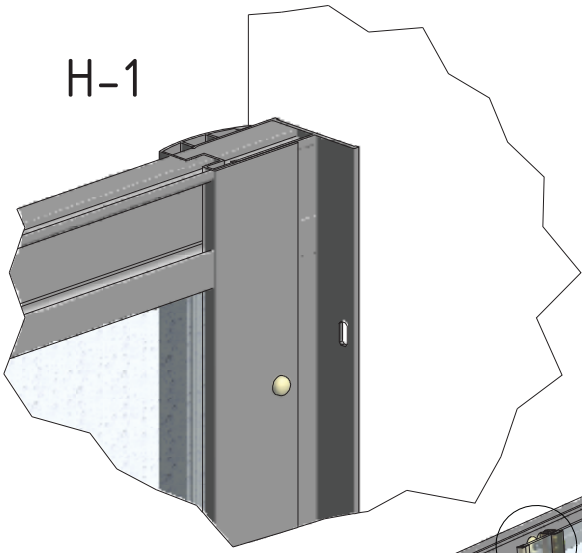
D-3
6 x



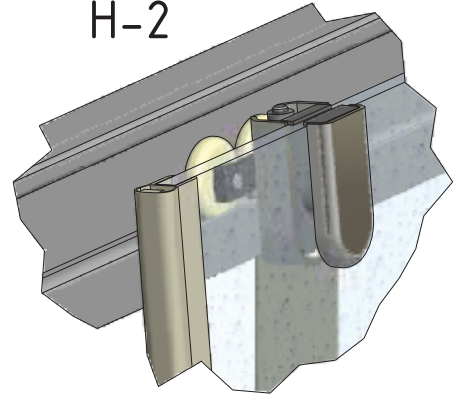


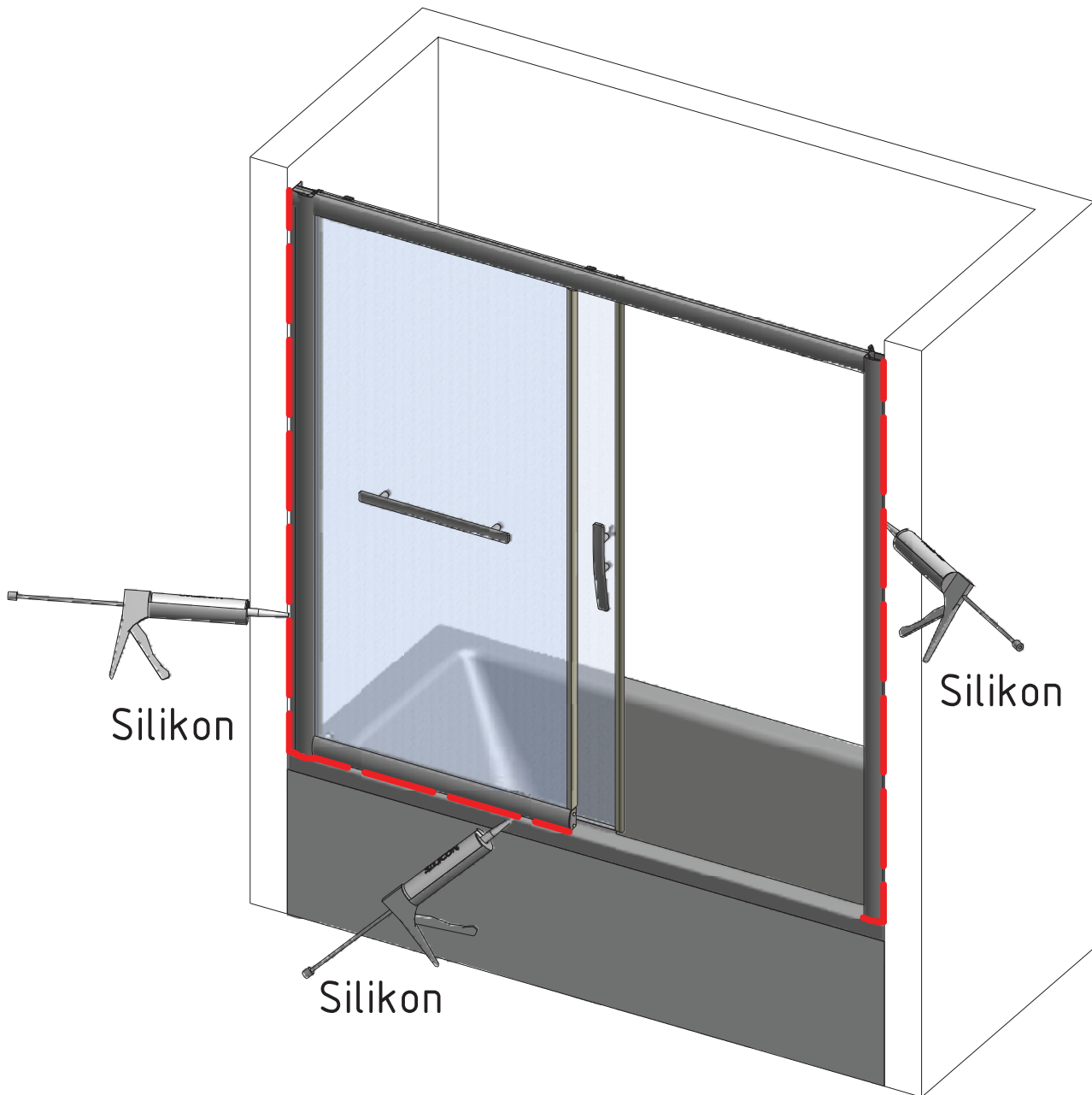
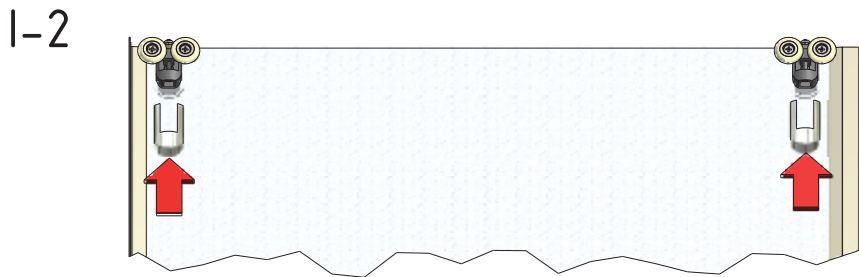
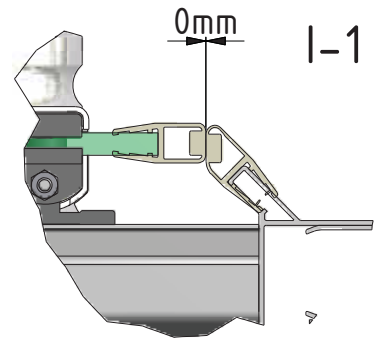
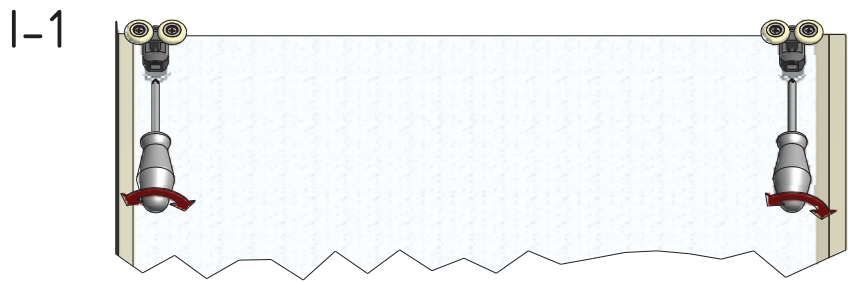


H-1

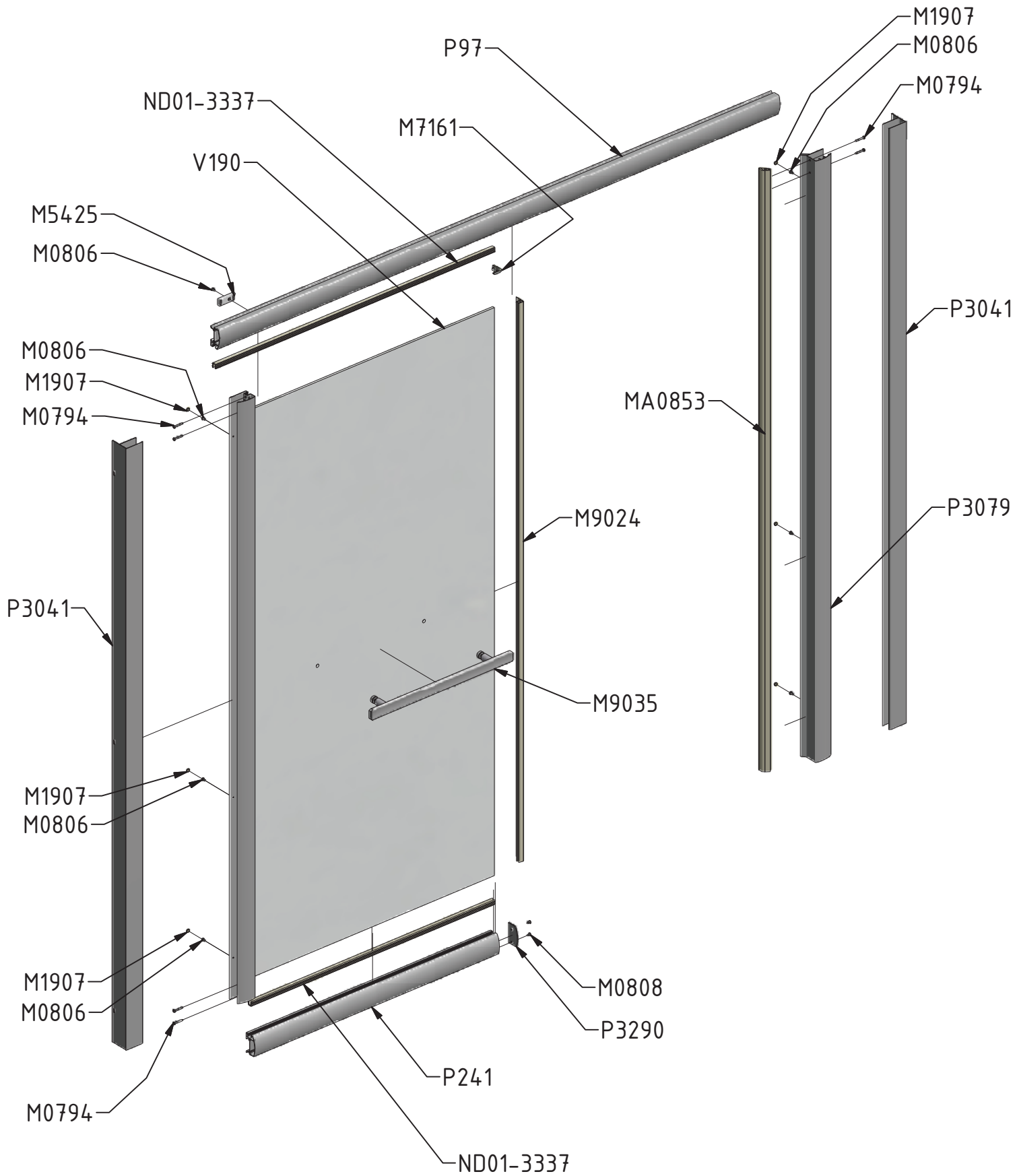


H-2

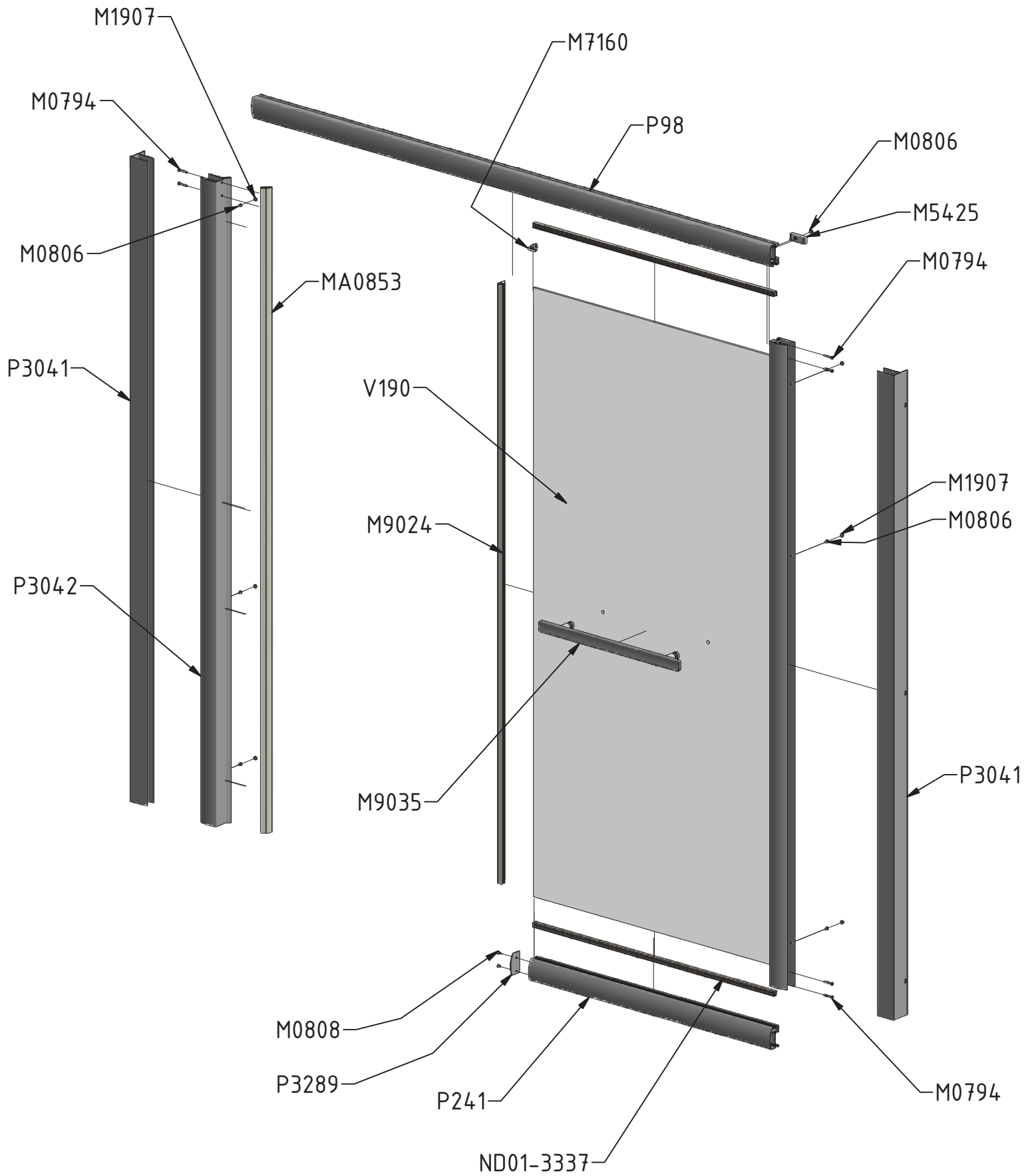




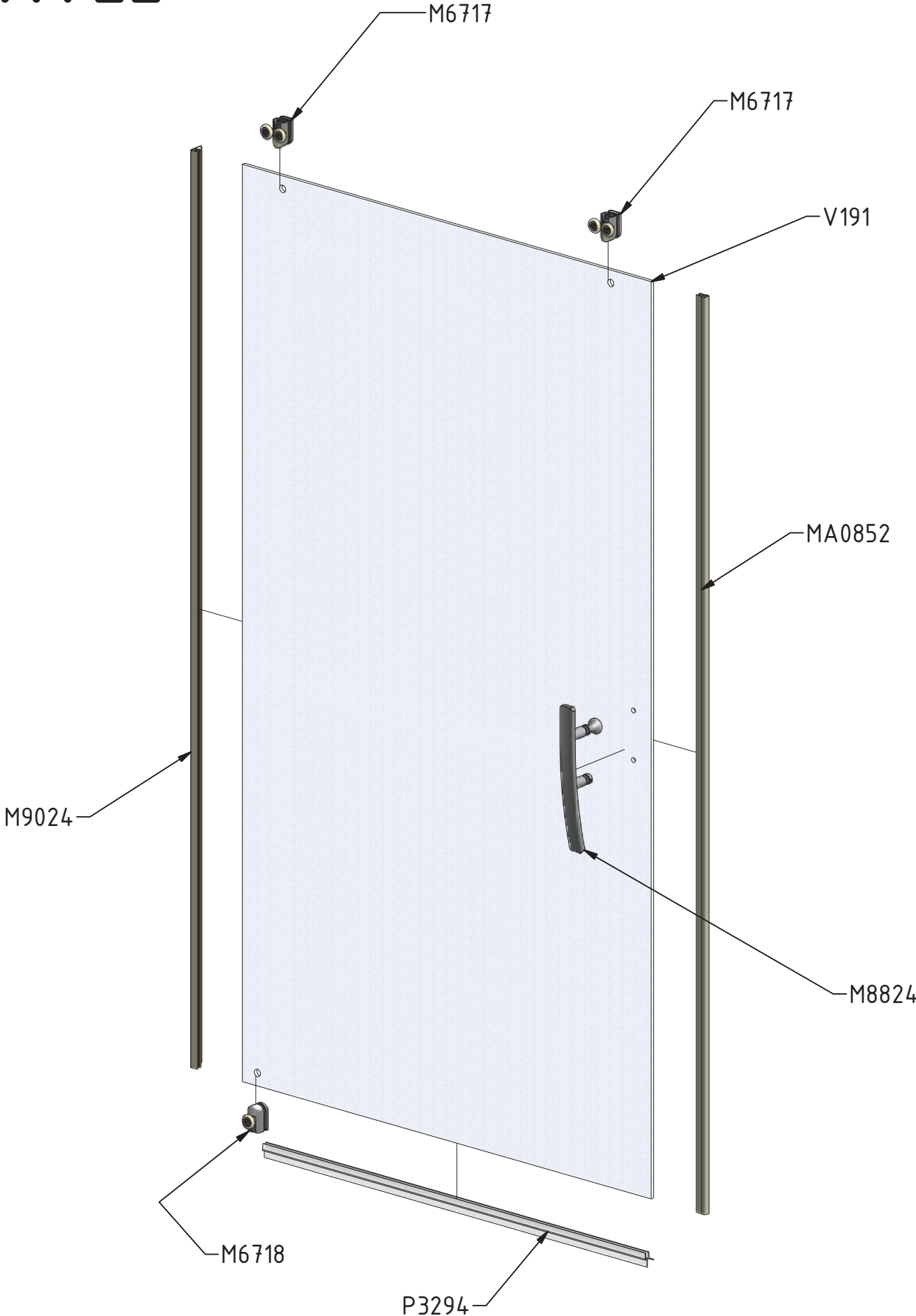
PXV2L



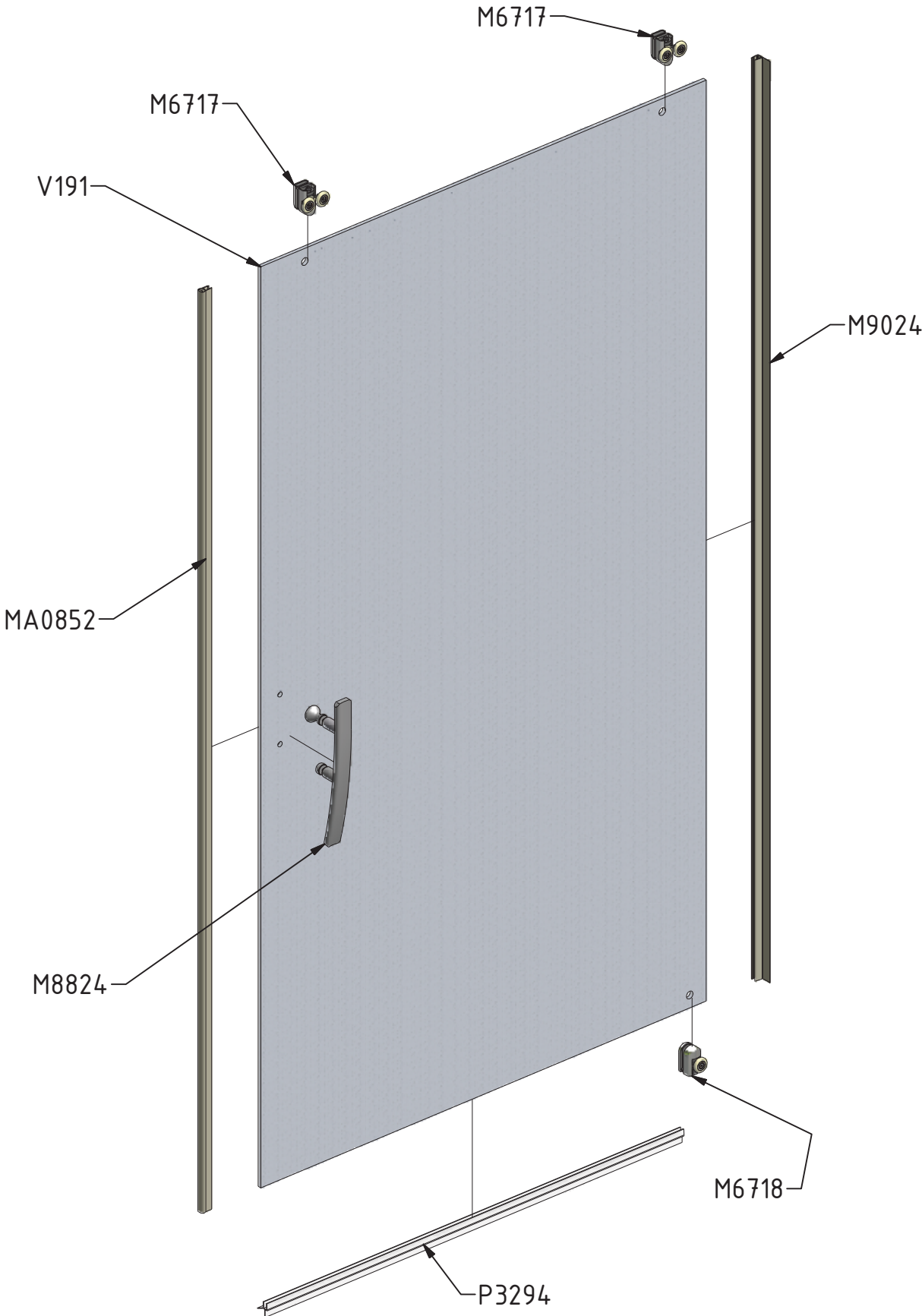
PXV2P



PXV2L



PXV2P



V190	1500	brillant+clear glass	ND03-0689-00-02
	1600		ND03-0690-00-02
	1700		ND03-0581-00-02
	1800		ND03-0691-00-02

V191	1500	clear glass	ND02-0757-02
	1600		ND02-0758-02
	1700		ND02-0759-02
	1800		ND02-0760-02

P97	1500		P2947
	1600		P2995
	1700		P3052
	1800		P3054

P98	1500		P2948
	1600		P2996
	1700		P3053
	1800		P3055

P241	1500		P3047
	1600		P3048
	1700		P3056
	1800		P3057