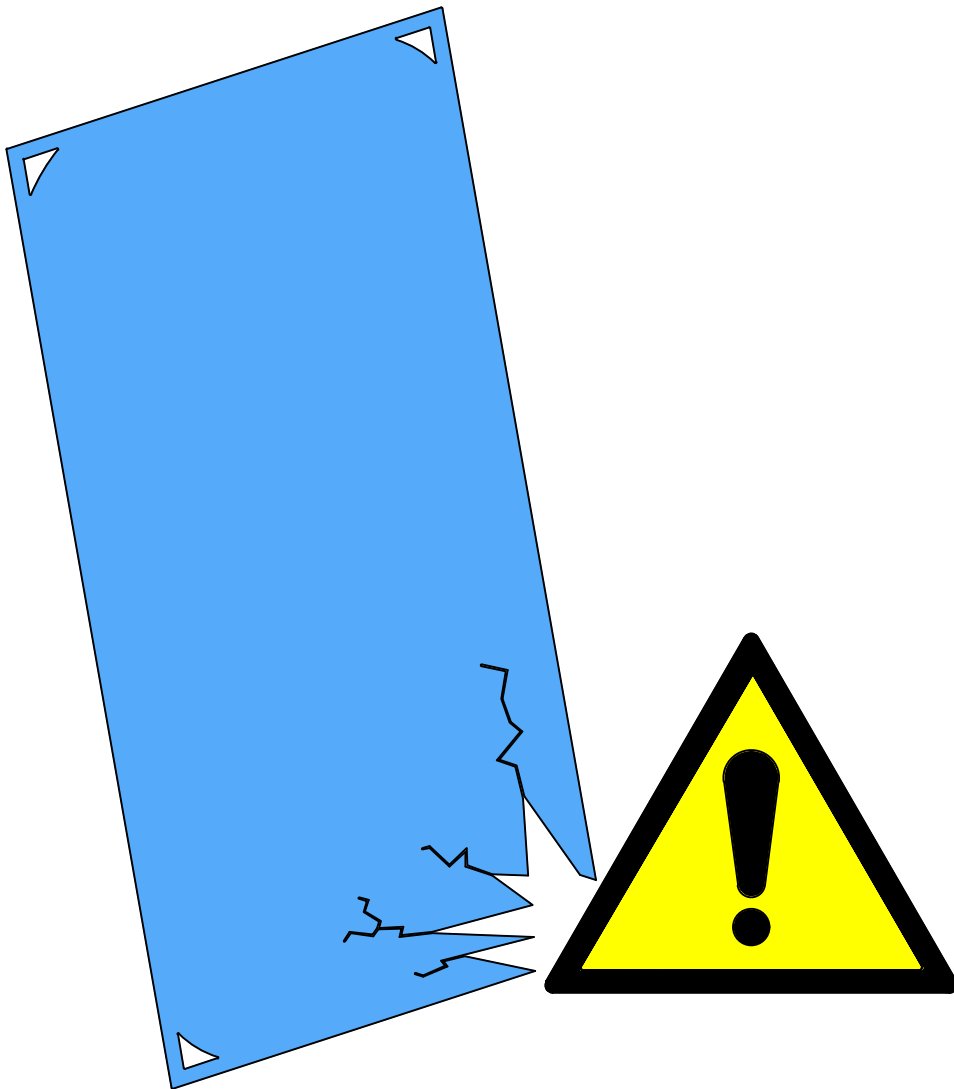
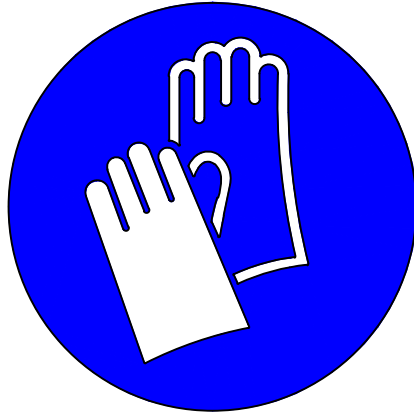
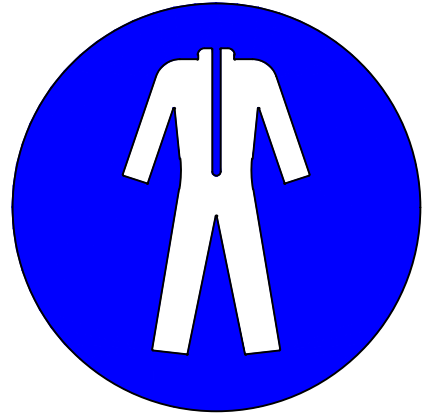
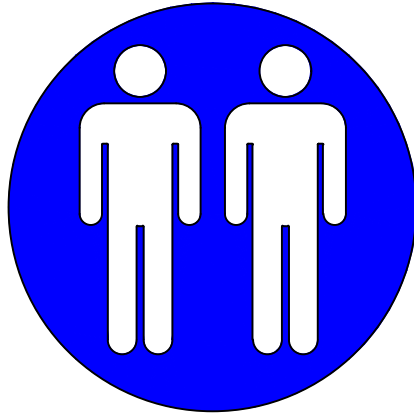


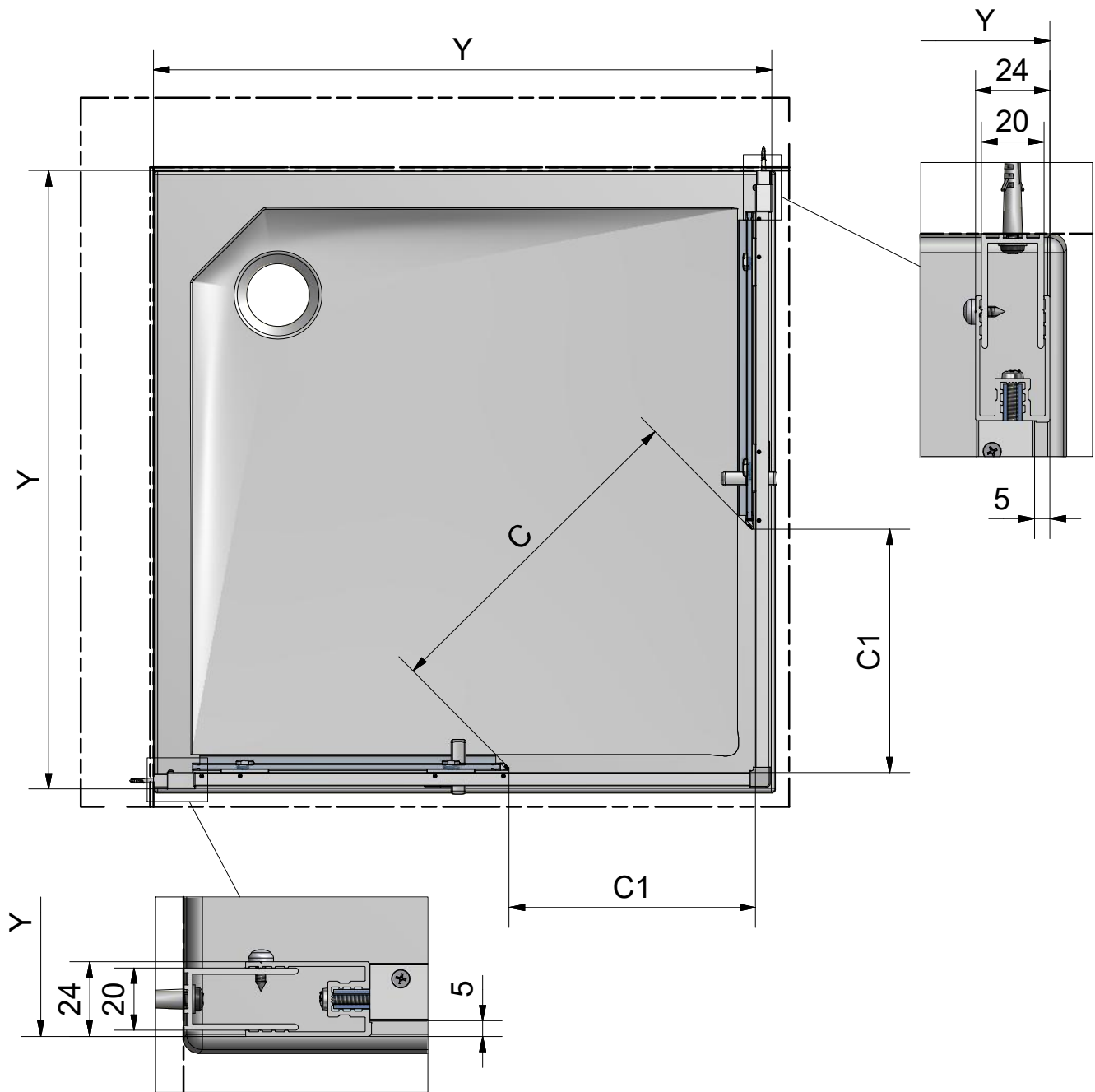
Assembling Instruction
Montageanleitung
Notice de montage
Montážní návod



Shower for life



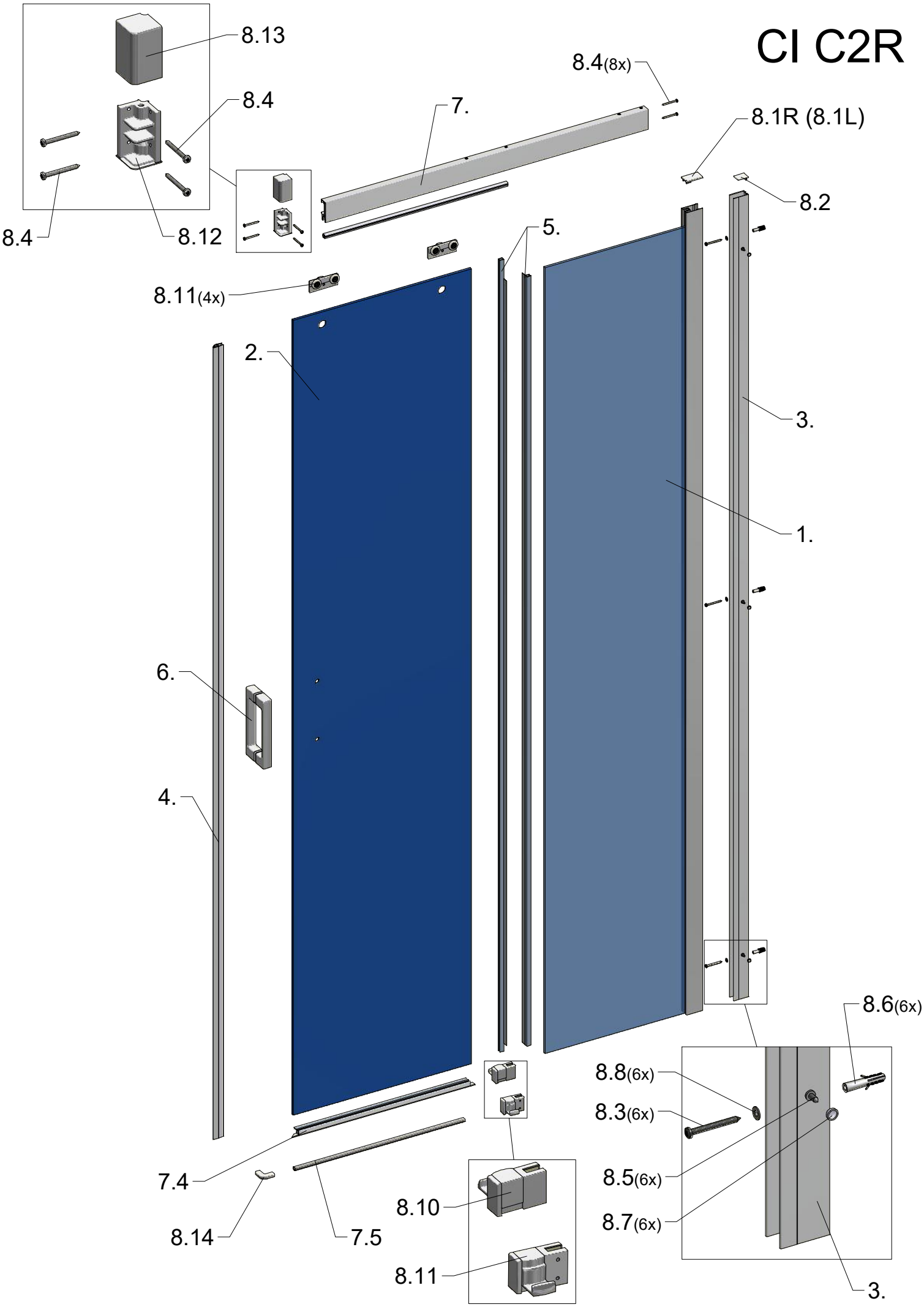
CI C2L + CI C2R

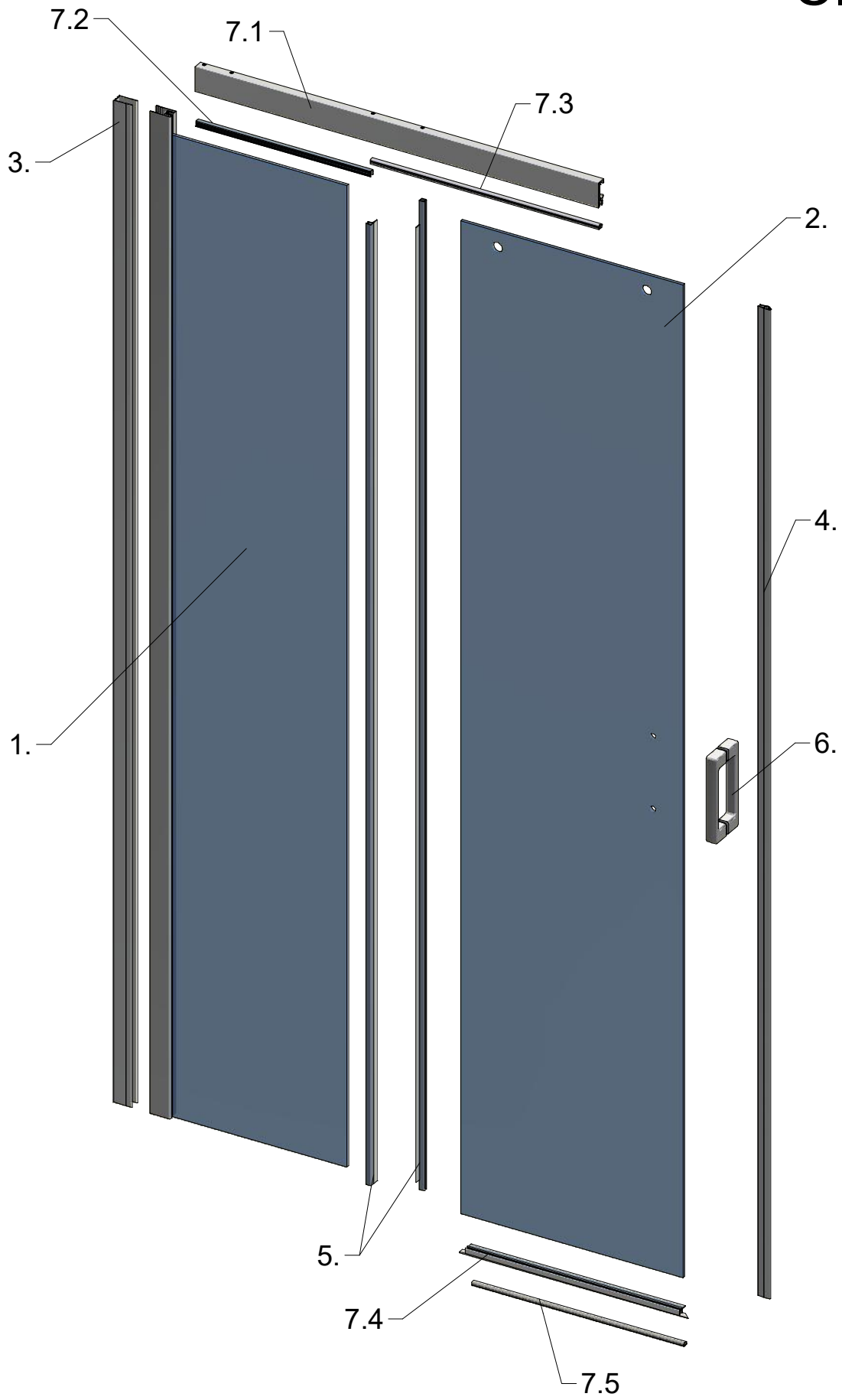


CI C2L + CI C2R		
TYPE	C1 (mm)	Y (mm)
800	305	775-800
900	355	875-900
1000	405	975-1000
1100	455	1075-1100
1200	505	1175-1200

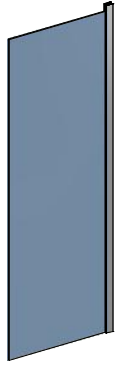


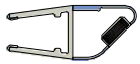
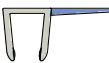

CI C2L + CI C2R	
TYPE	C (mm)
800x800	428
900x900	498
1000x1000	569
1100x1100	640
1200x1200	710

CI C2R

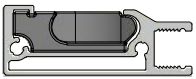
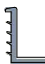
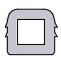






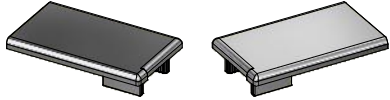







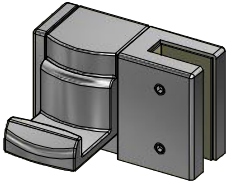
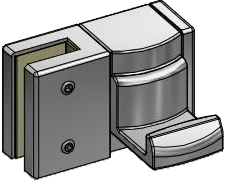
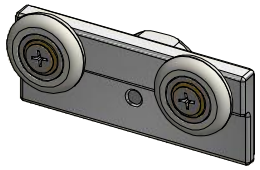





CI C2R VPE / NPE

POS.	PREVIEW	PCS	SPARE PART
1.		1	V302
2.		1	V303
3.		1	VPE (P5941) NPE (P6792)
4.		1	P6134
5.		2	P6127
6.		1	MA9198 (VPE) MB2332 (NPE)
7.	RAIL, STOPS, SEALS	1	P315
8.	ACCESSORIES	1	P6145

7. P315




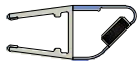


POS.	PREVIEW	PCS	SPARE PART
7.1		1	RAIL+STOPS
7.2		1	
7.3		1	
7.4		1	P6121
7.5		1	P6133 (VPE) P6809 (NPE)

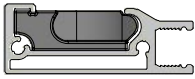




8. P6145 (VPE) / P6864 (NPE)

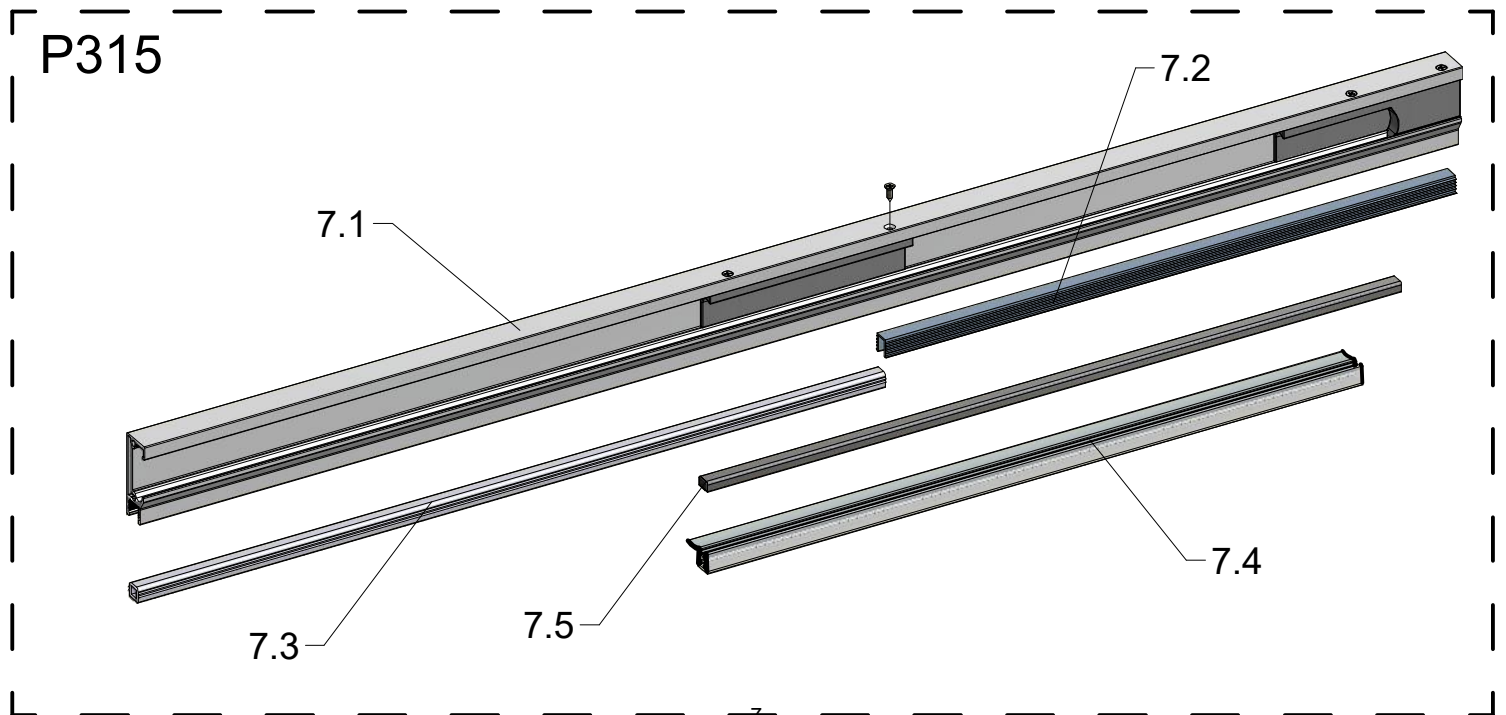
POS.	PREVIEW
8.1	1xL + 1xR 
8.2	2x 
8.3	6x ST3,9 
8.4	8x ST3,5 
8.5	6x 
8.6	6x 
8.7	6x 
8.8	6x 
8.9	MB1120 (VPE) MB2331 (NPE) 
8.10	MB1119 (VPE) MB2322 (NPE) 
8.11	4x MB1157 (VPE) MB2319 (NPE) 
8.12	
8.13	
8.14	
8.15	
8.16	

CI C2L VPE

7. P315

POS.	PREVIEW	PCS	SPARE PART
1.		1	V302
2.		1	V303
3.		1	(VPE) P5941 (NPE) P6792
4.		1	P6134
5.		2	P6127
6.		1	MA9198 (VPE) MB2332 (NPE)
7.	RAIL, STOPS, SEALS	1	P315

POS.	PREVIEW	PCS	SPARE PART
7.1		1	RAIL+STOPS
7.2		1	
7.3		1	
7.4		1	P6121
7.5		1	P6133 (VPE) P6809 (NPE)



1. V302

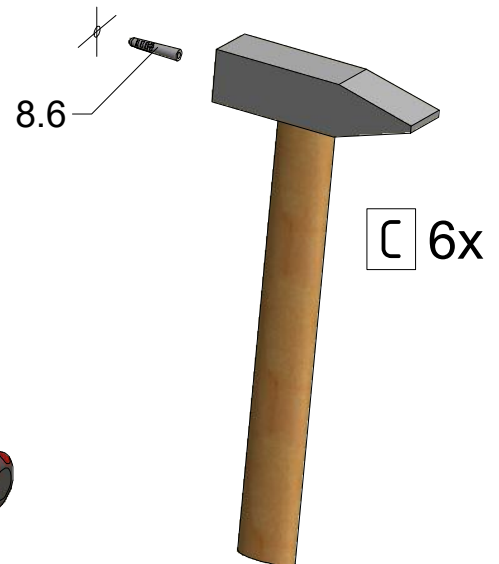
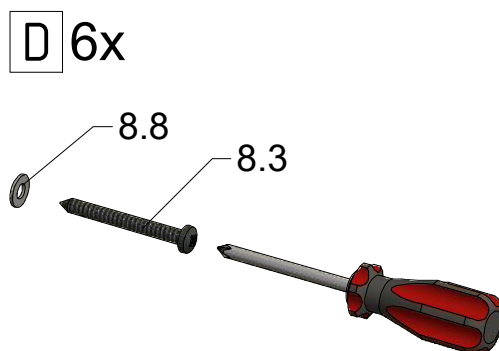
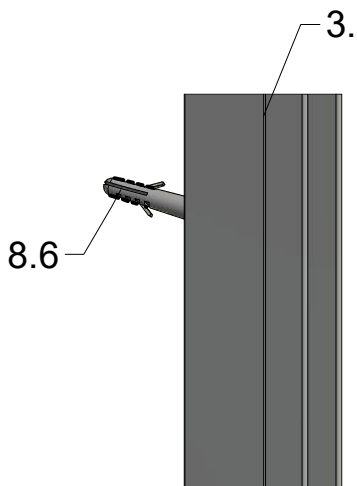
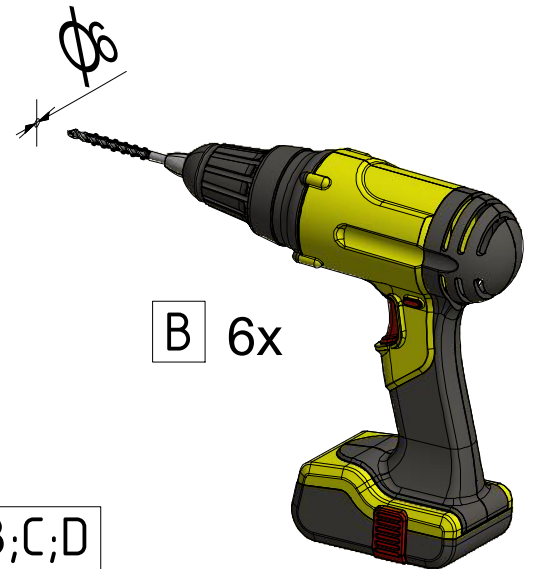
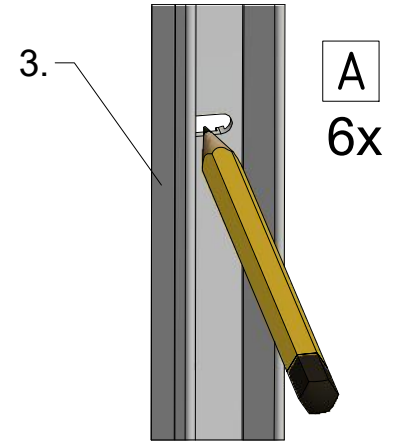
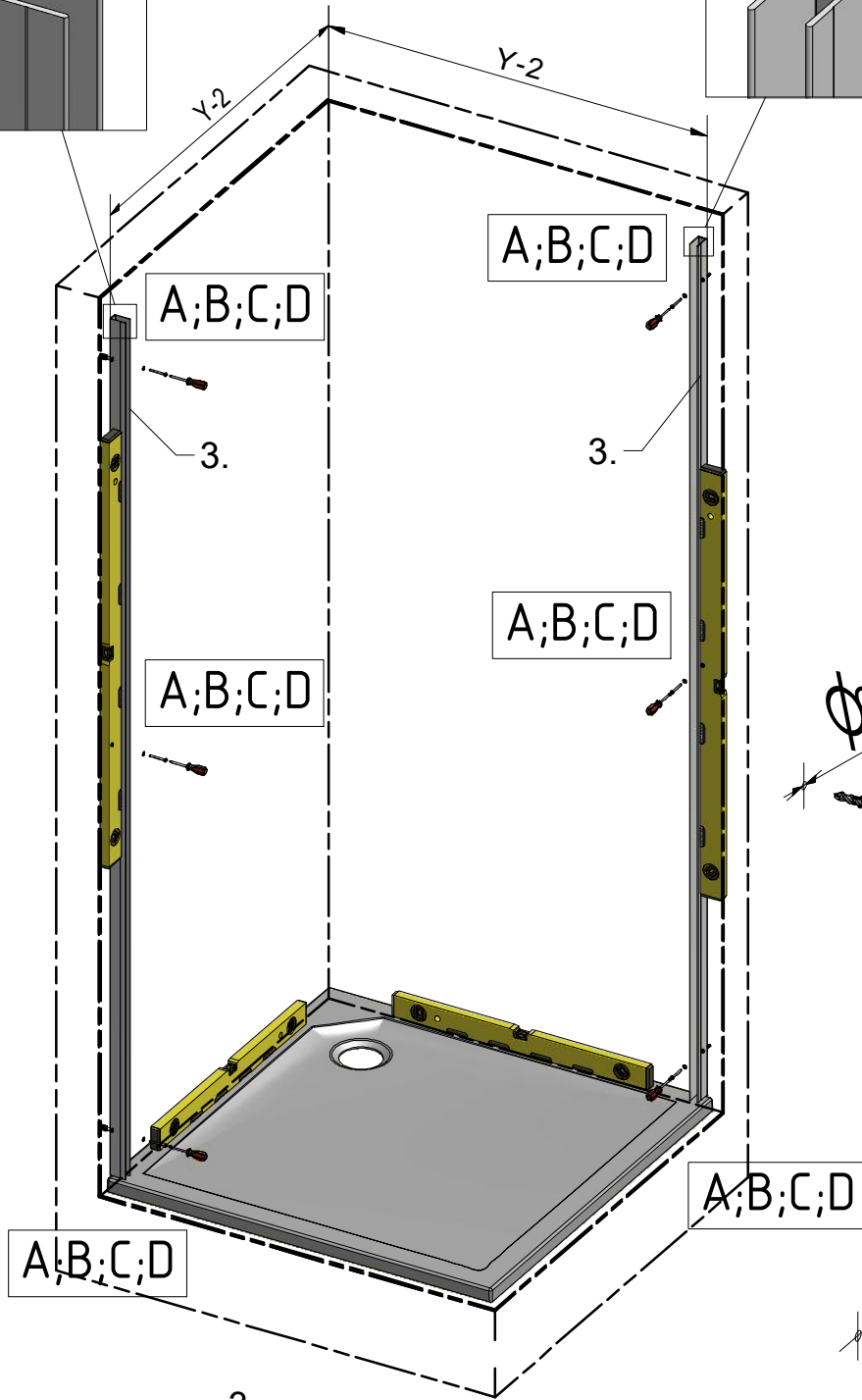
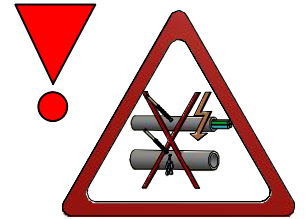
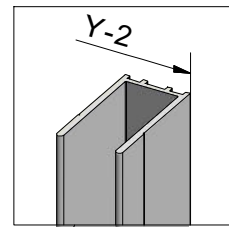
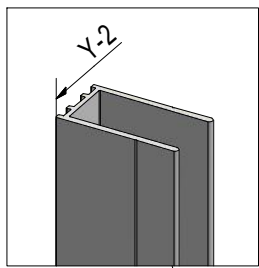
SIZE	black + clear glass	brillant + clear glass
C2L 800	ND03-0955-05-02	ND03-0955-00-02
C2L 900	ND03-0956-05-02	ND03-0956-00-02
C2L 1000	ND03-0957-05-02	ND03-0957-00-02
C2L 1100	ND03-0958-05-02	ND03-0958-00-02
C2L 1200	ND03-0959-05-02	ND03-0959-00-02
C2R 800	ND03-0960-05-02	ND03-0960-00-02
C2R 900	ND03-0961-05-02	ND03-0961-00-02
C2R 1000	ND03-0962-05-02	ND03-0962-00-02
C2R 1100	ND03-0963-05-02	ND03-0963-00-02
C2R 1200	ND03-0964-05-02	ND03-0964-00-02

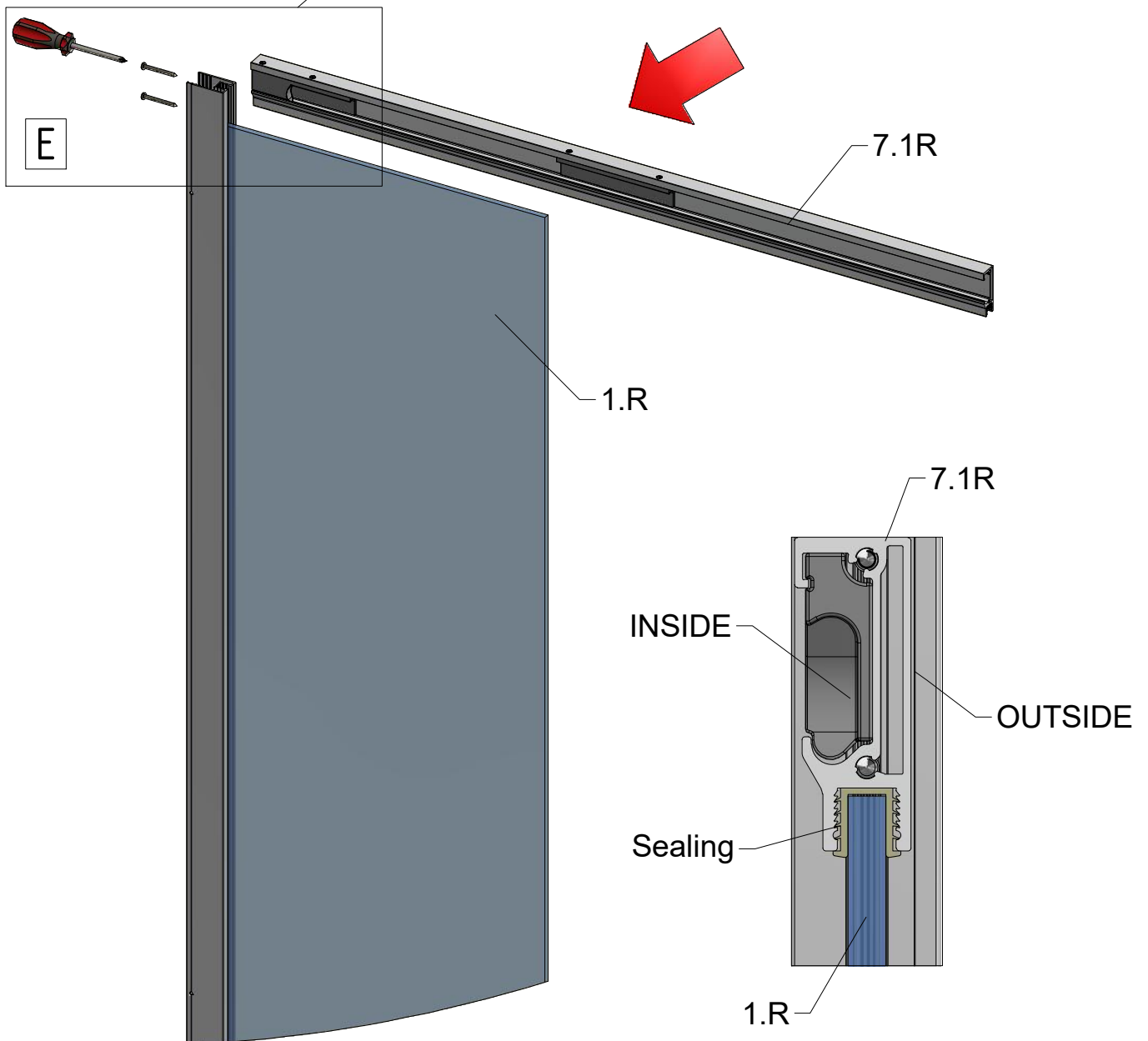
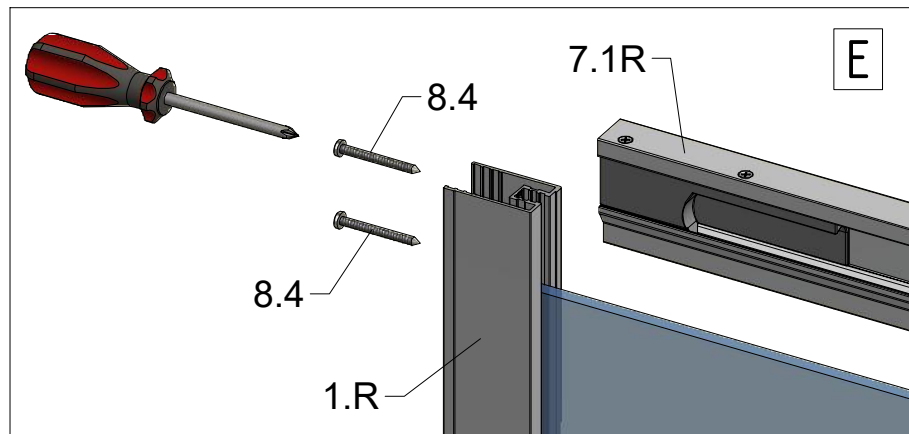
2. V303

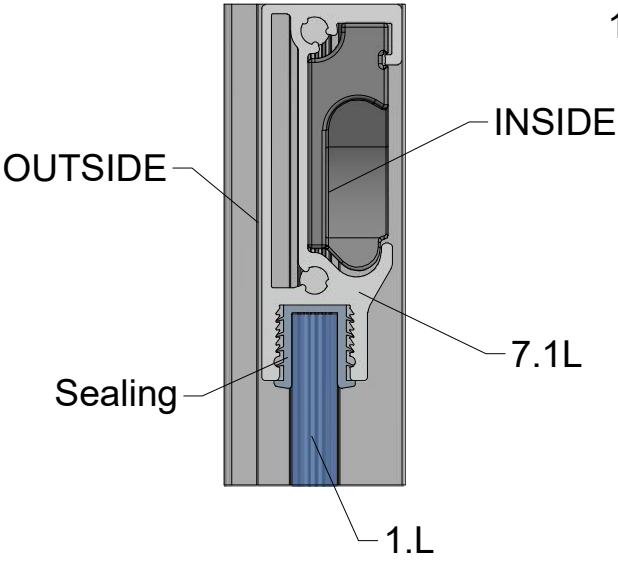
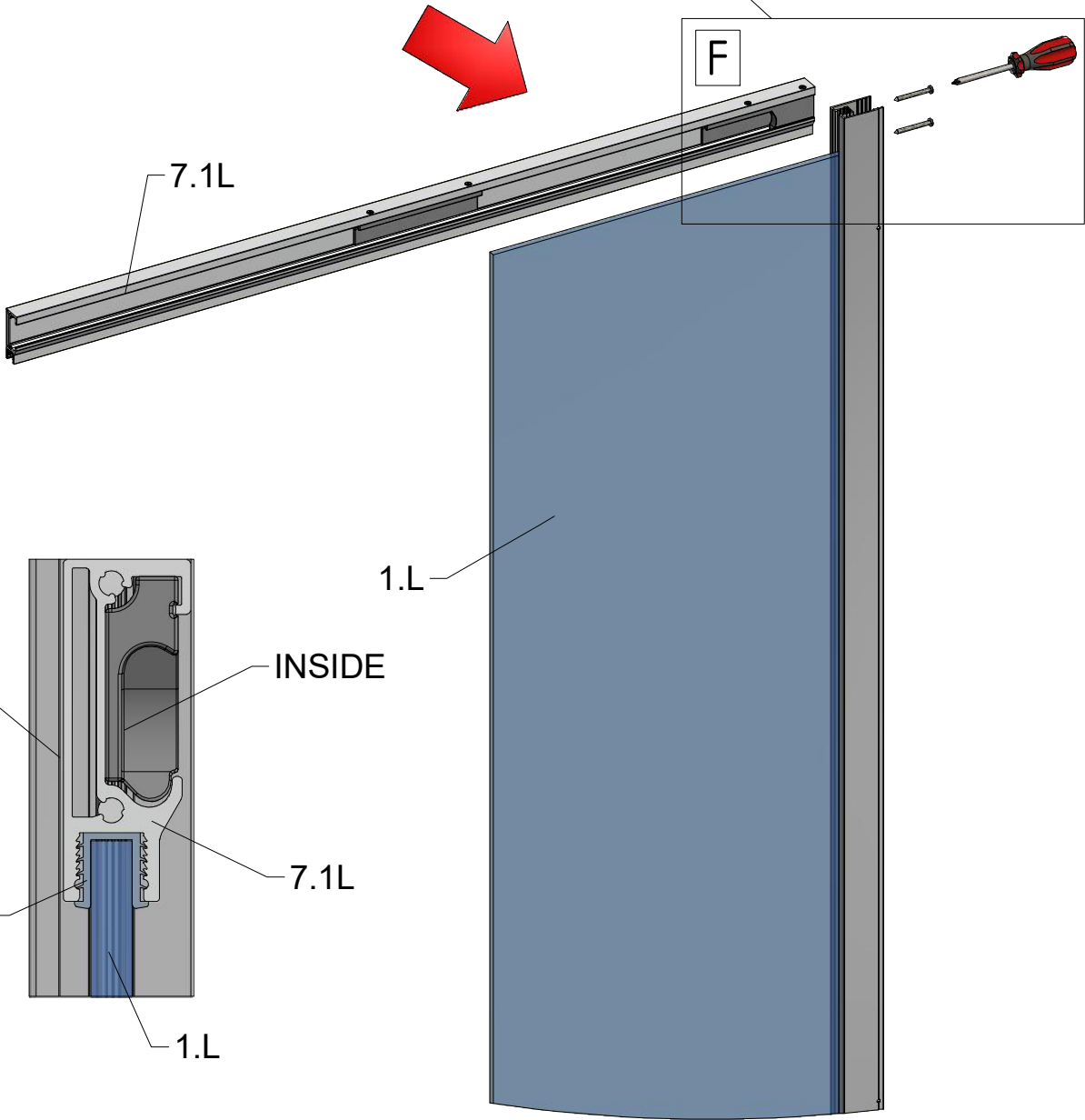
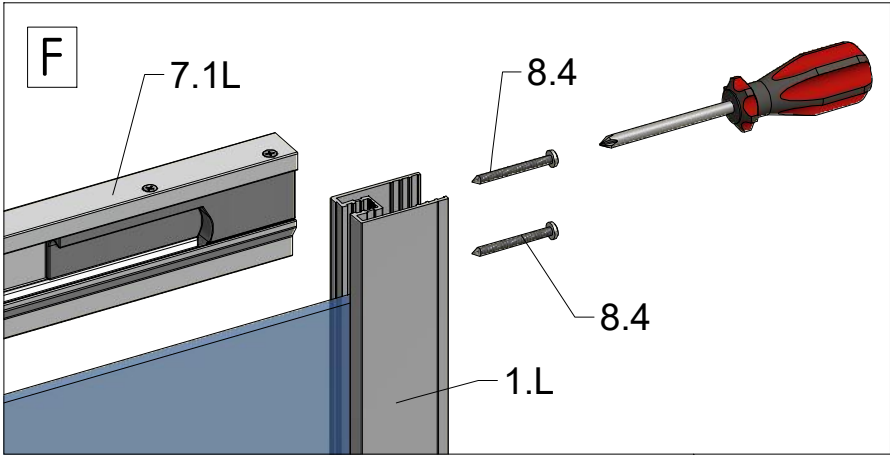
SIZE	GLASS	SPARE PART
800	clear glass	ND02-0944-02
900	clear glass	ND02-0945-02
1000	clear glass	ND02-0946-02
1100	clear glass	ND02-0947-02
1200	clear glass	ND02-0948-02

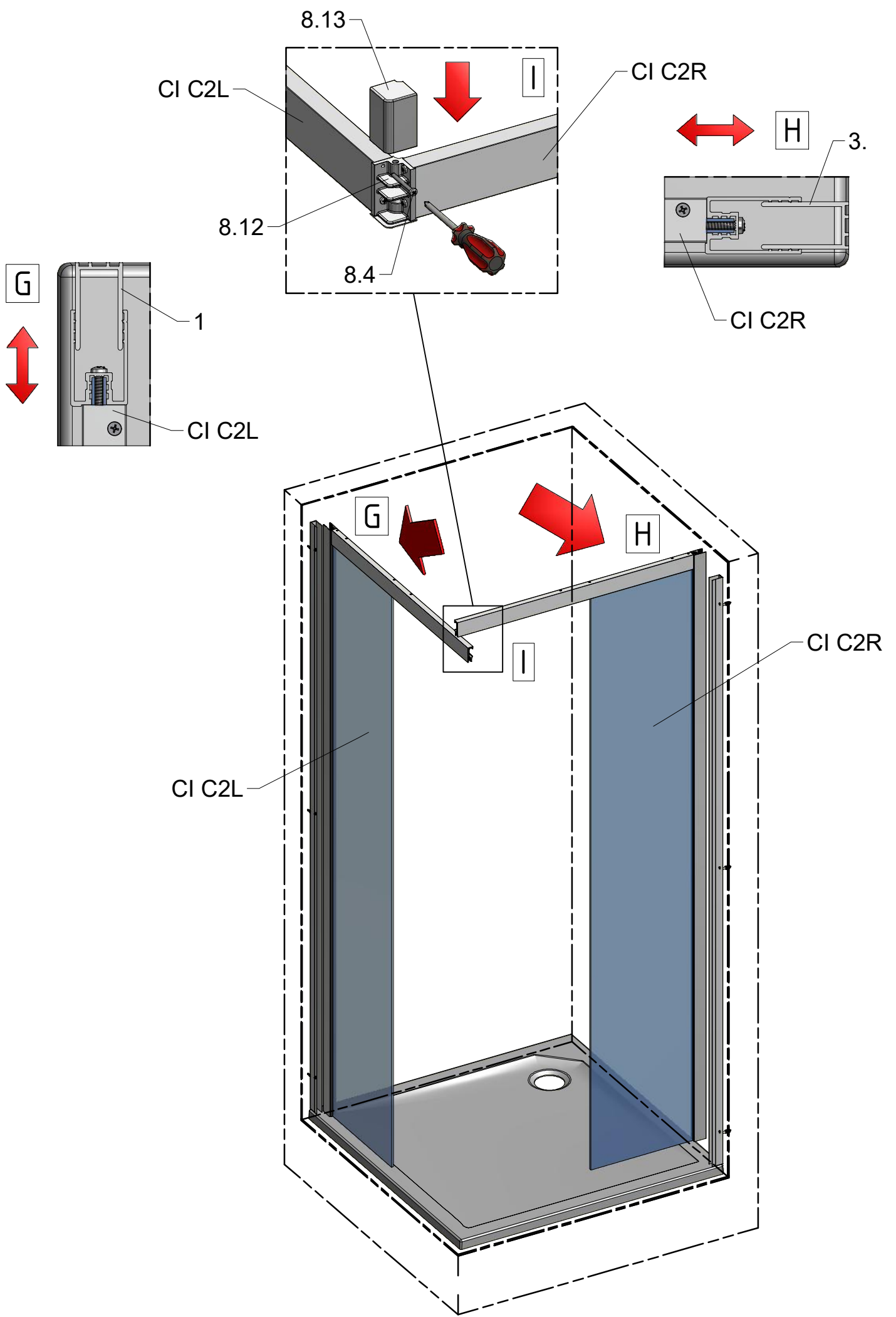
7. P315

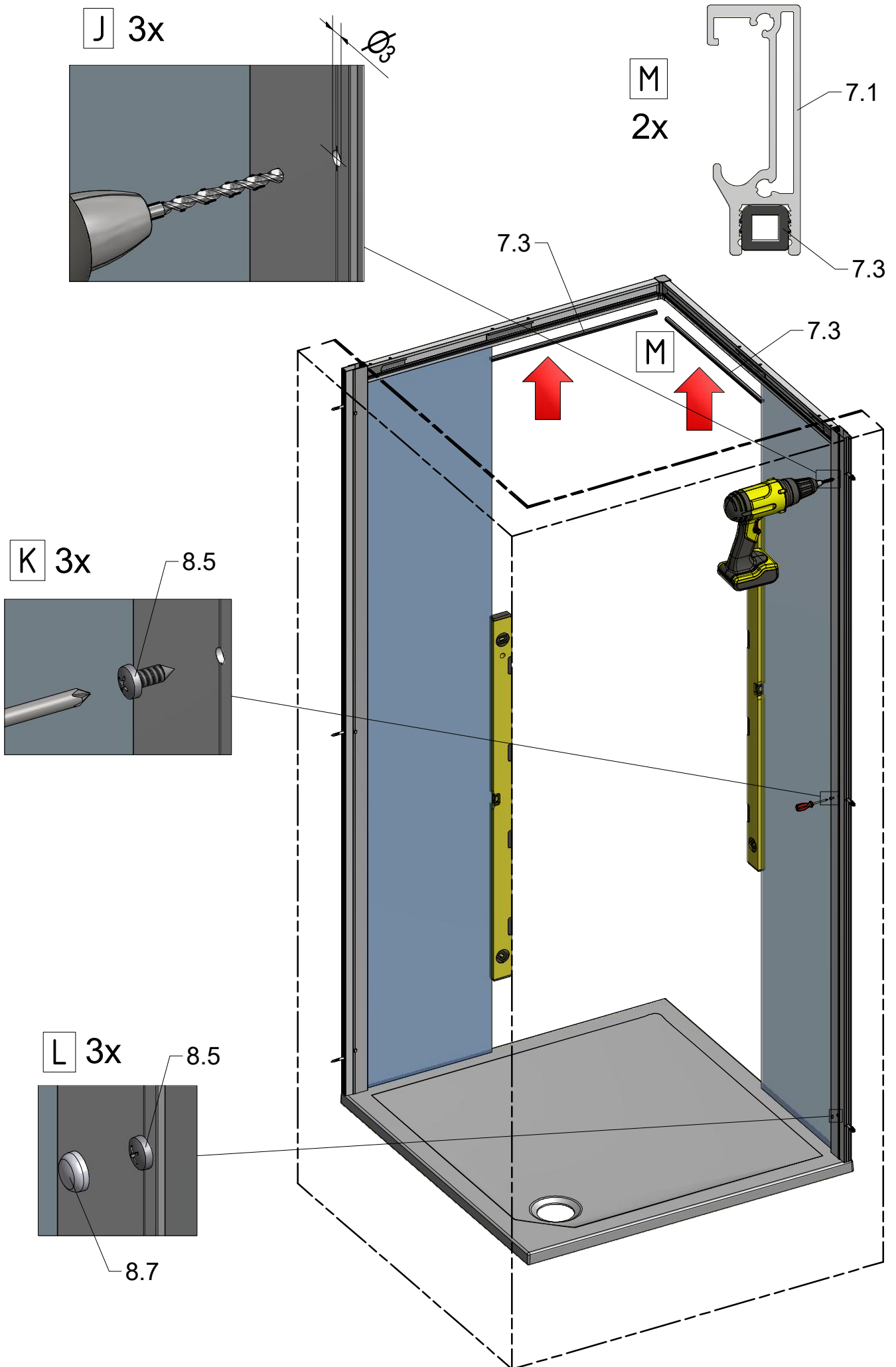
SIZE	black profile	brillant profile
C2L 800	P6859	P6210
C2L 900	P6860	P6212
C2L 1000	P6861	P6214
C2L 1100	P6862	P6216
C2L 1200	P6863	P6218
C2R 800	P6854	P6211
C2R 900	P6855	P6213
C2R 1000	P6856	P6215
C2R 1100	P6857	P6217
C2R 1200	P6858	P6219

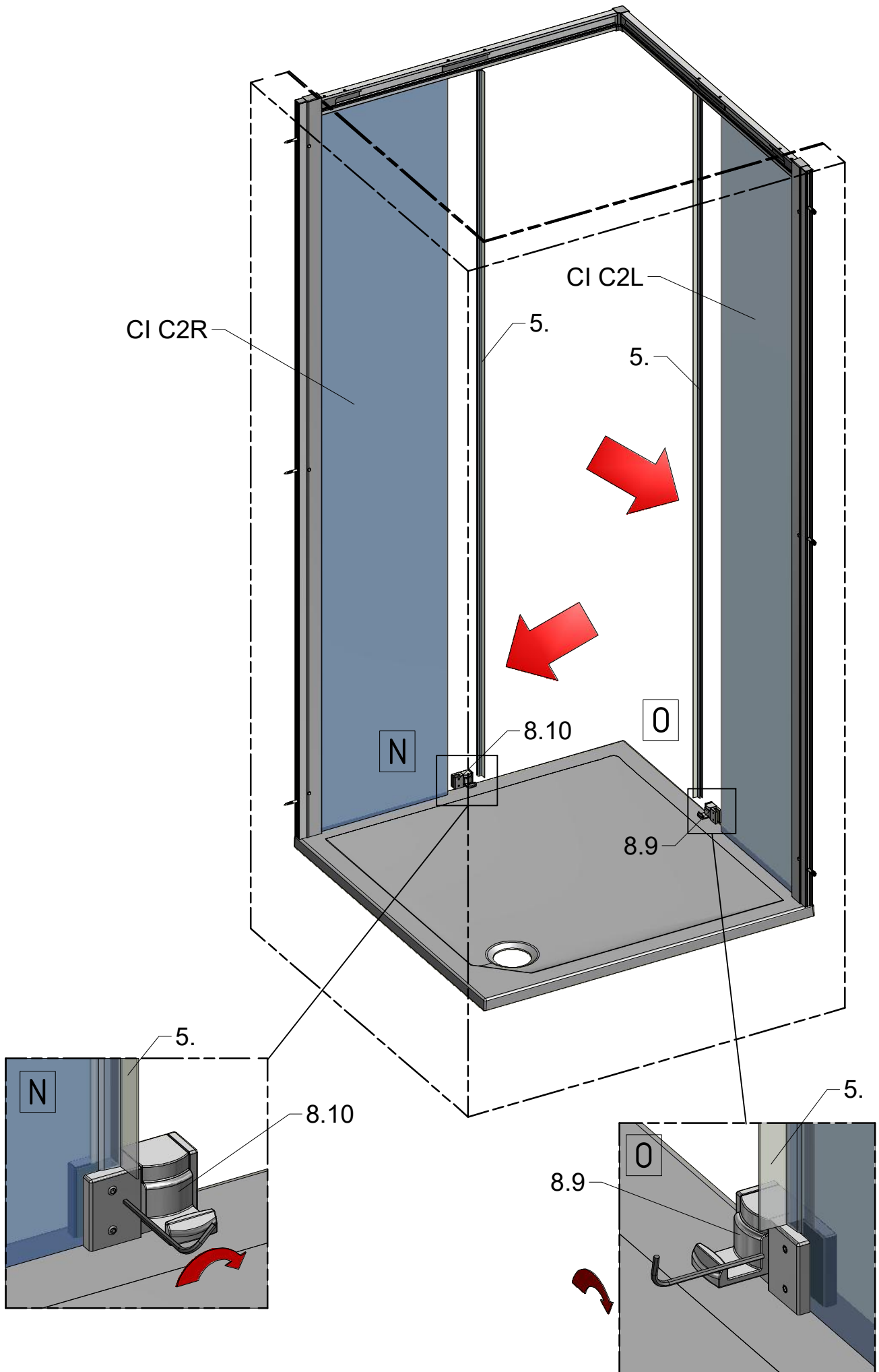


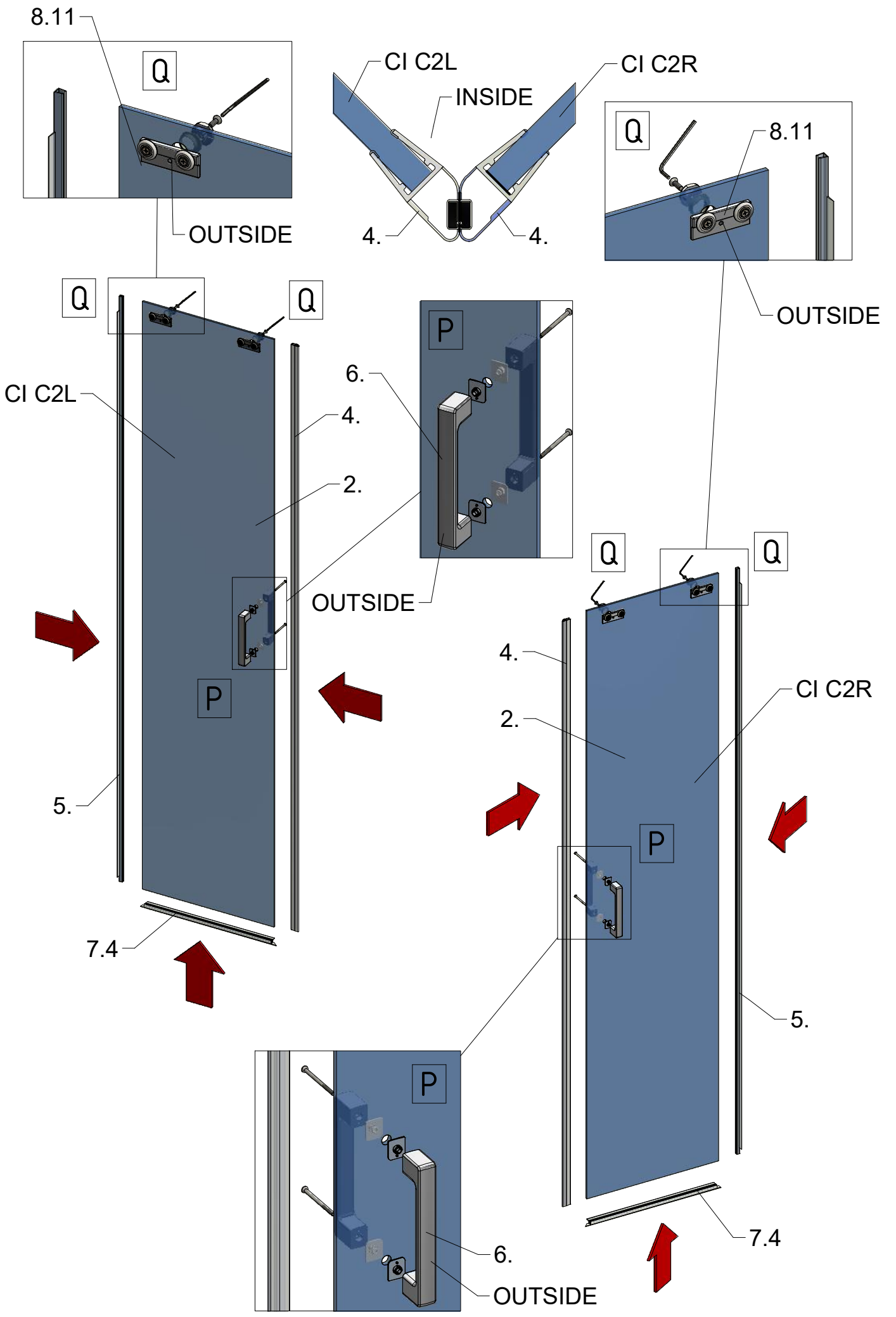


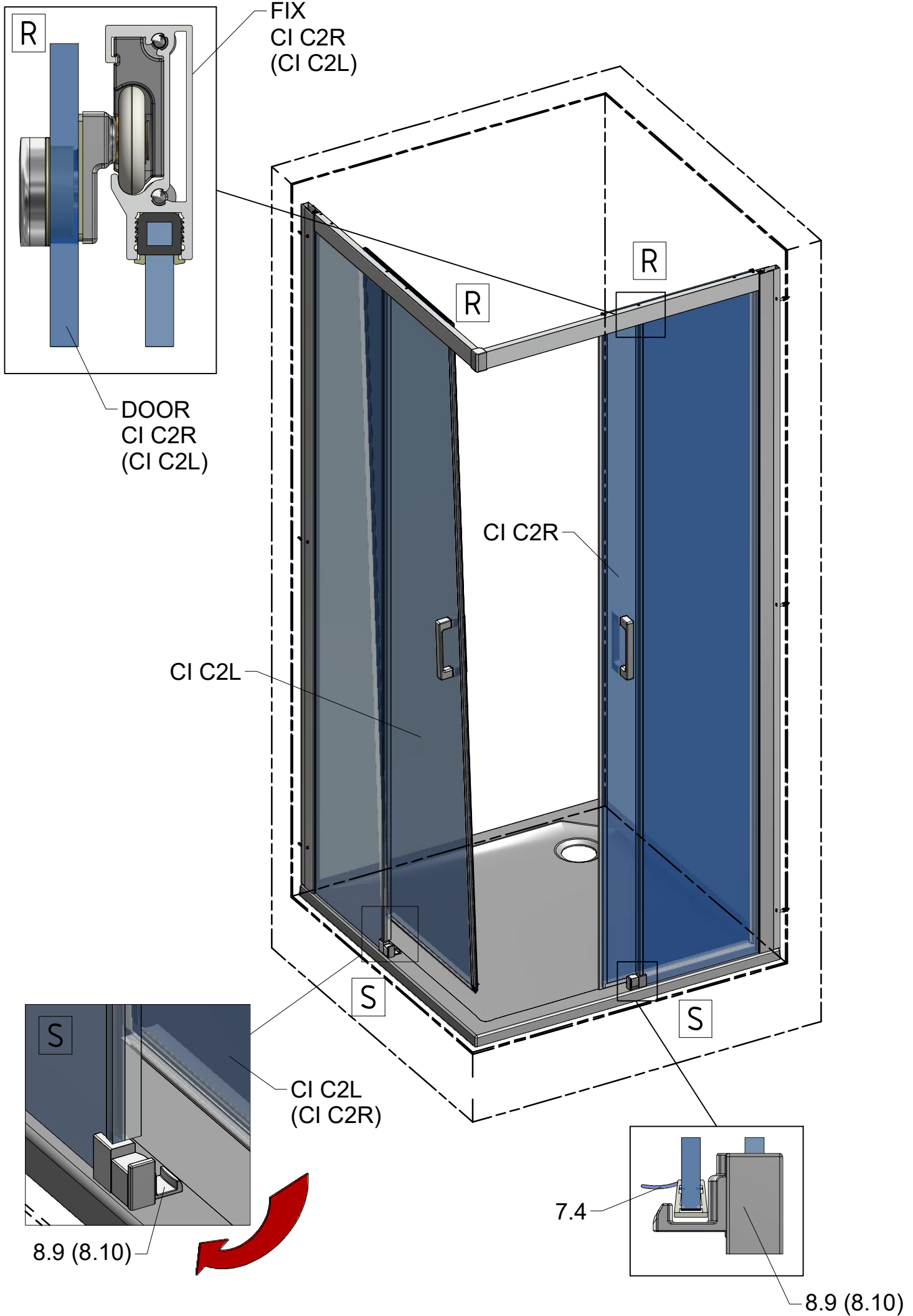


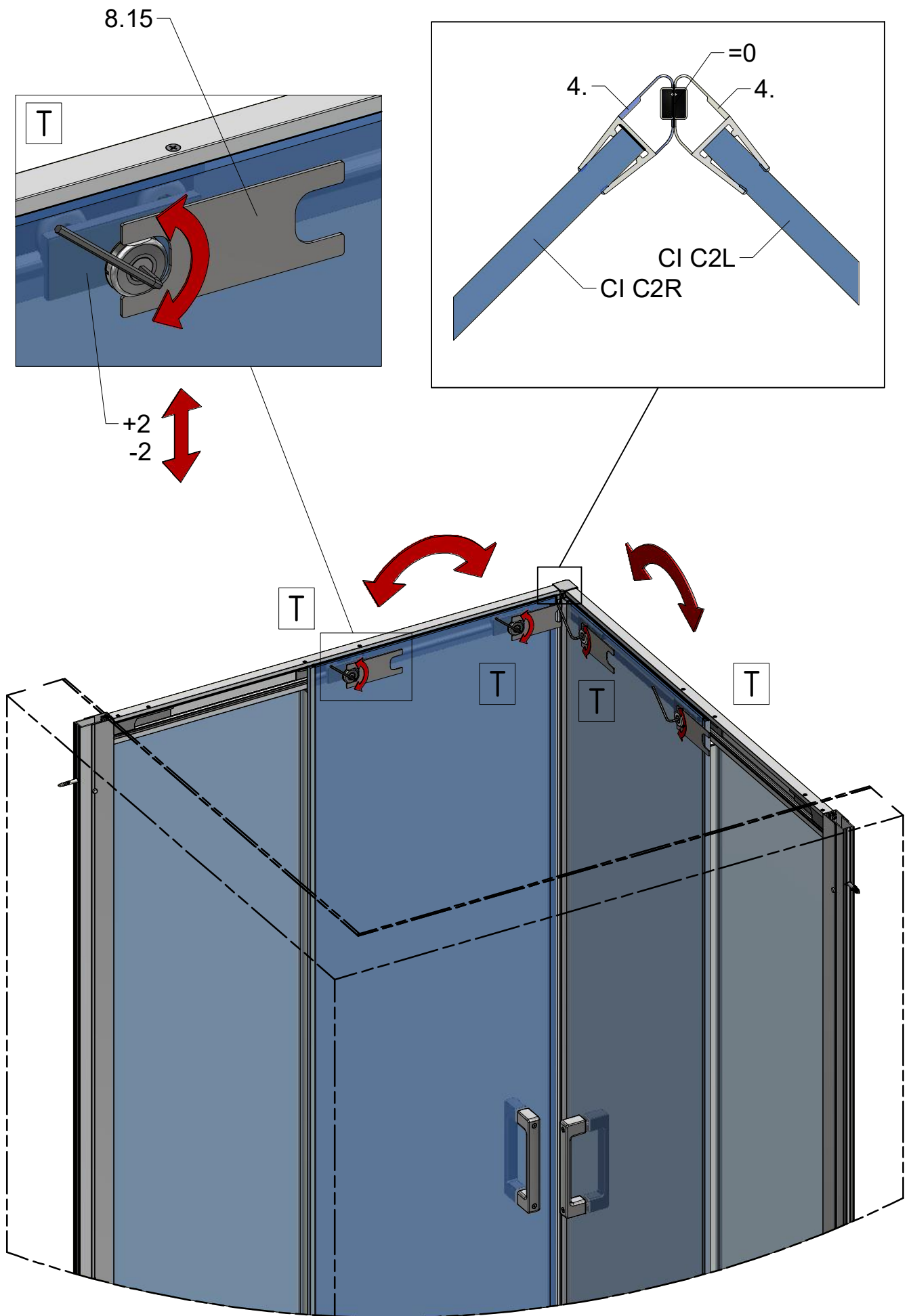


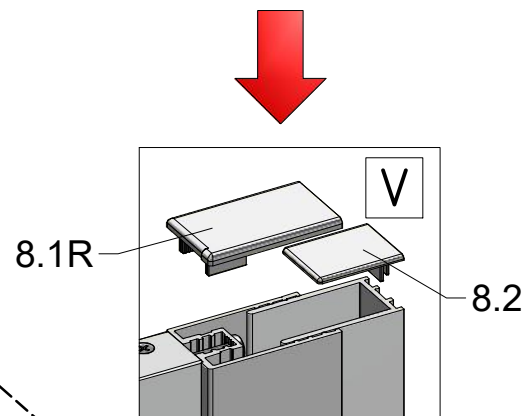
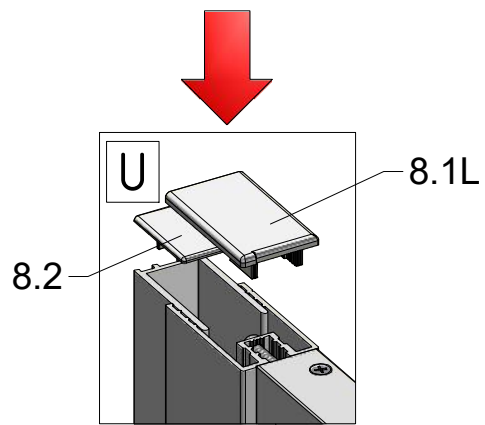


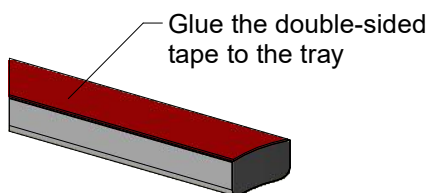
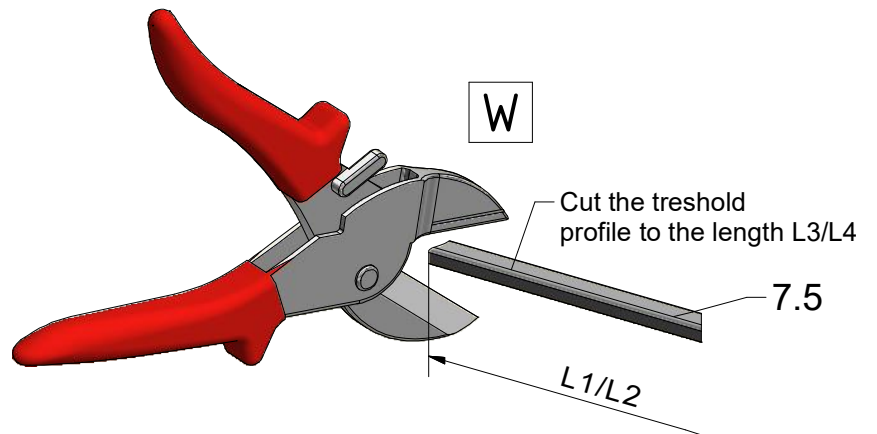
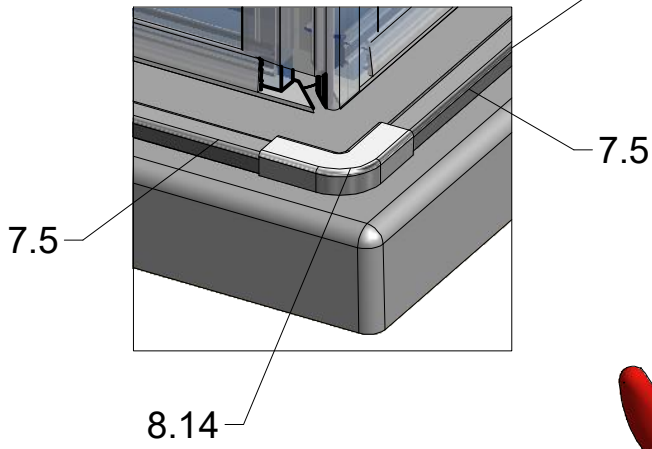
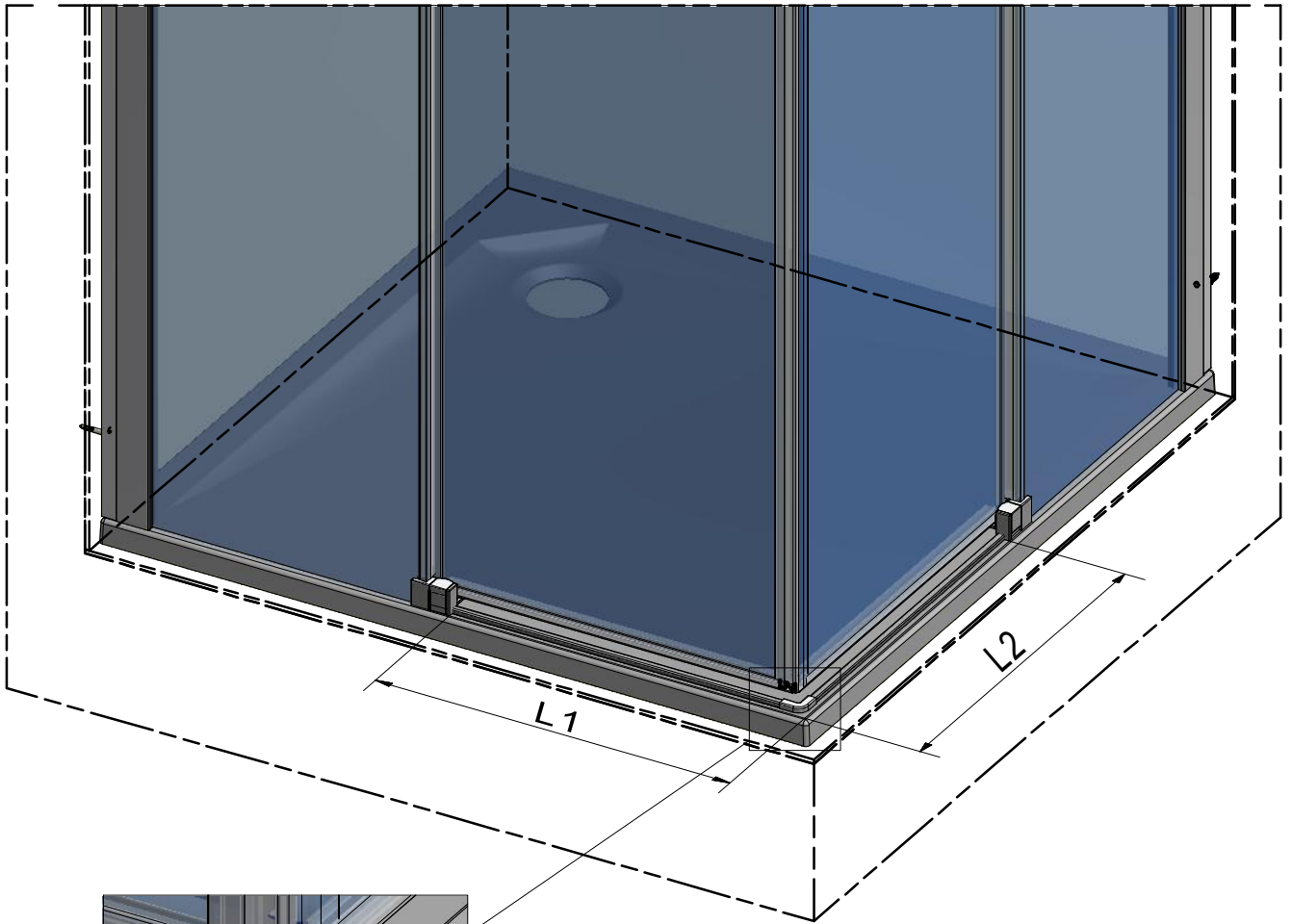






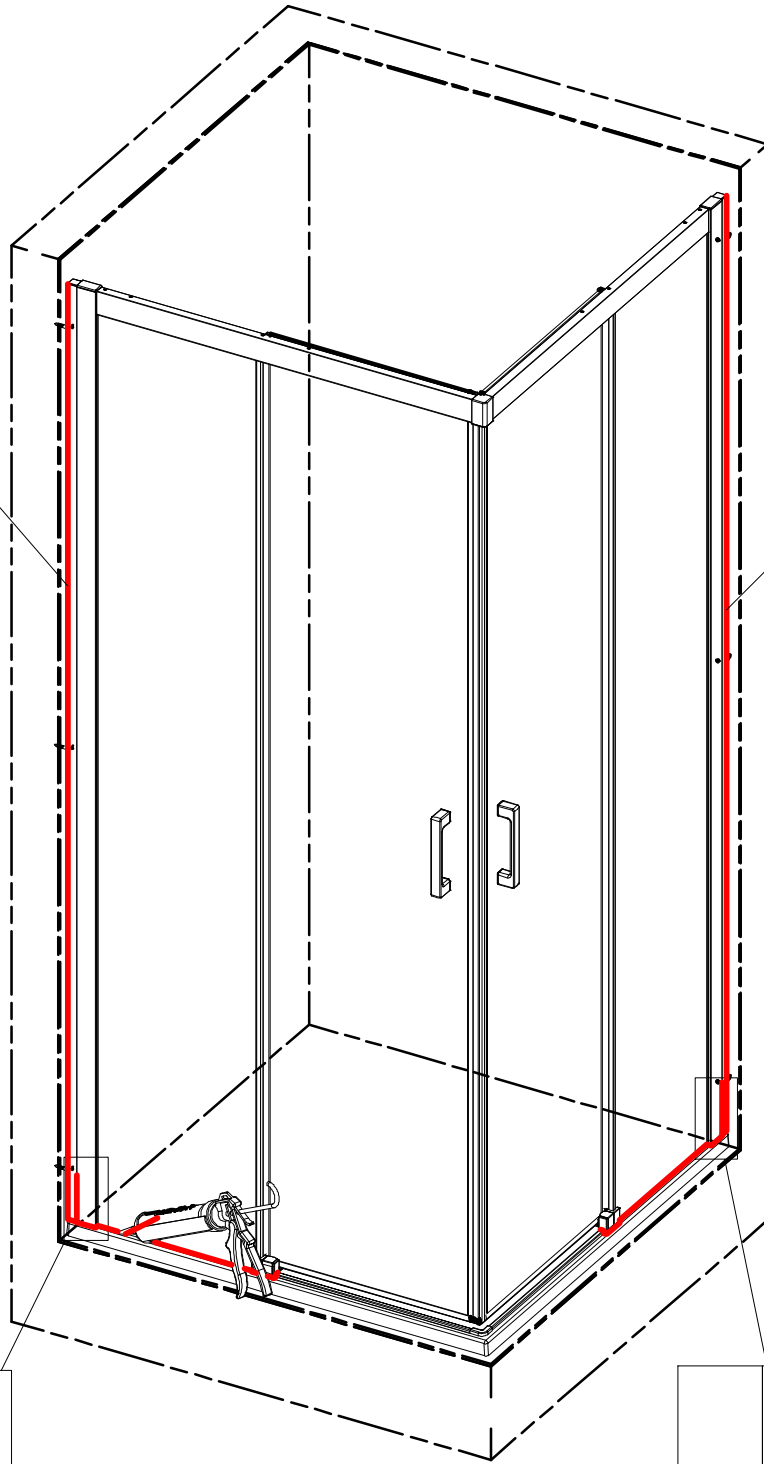




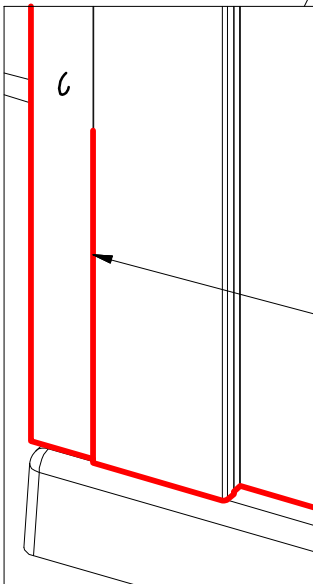




SILICONE

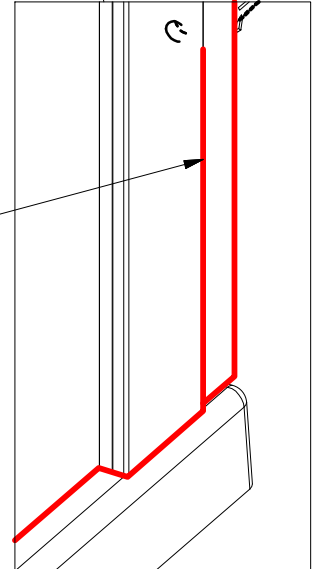


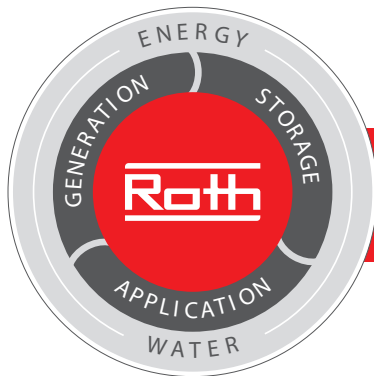
SILICONE



SILICONE
MIN 100mm

SILICONE
MIN 100mm





Roth Energy and Sanitary Systems

Generation

- Solar systems <
- Heat pump systems <

Storage

- Storage systems for Domestic & heating water <
- Combustibles and biofuels <
- Rainwater and waste water <

Application

- > Radiant heating and cooling systems
- > Pipe installation systems
- > Shower system



■ Deutschland

ROTH WERKE GMBH
Am Seerain 2
35232 Dautphetal
Telefon: 06466/922-0
Telefax: 06466/922-100
E-Mail: service@roth-werke.de
www.roth-werke.de

■ Czech Republic

Roth Czech s.r.o.
Třebořov 160
569 33 Třebořov
Tel.: +420 461 353 611
E-Mail: objednavky@roth-czech.cz
www.roth-czech.cz

■ France

ROTH FRANCE
CS 20090
78, rue Ampère - ZI
77465 Lagny sur Marne Cedex
Tél.: +420 461 353 611
www.roth-france.fr