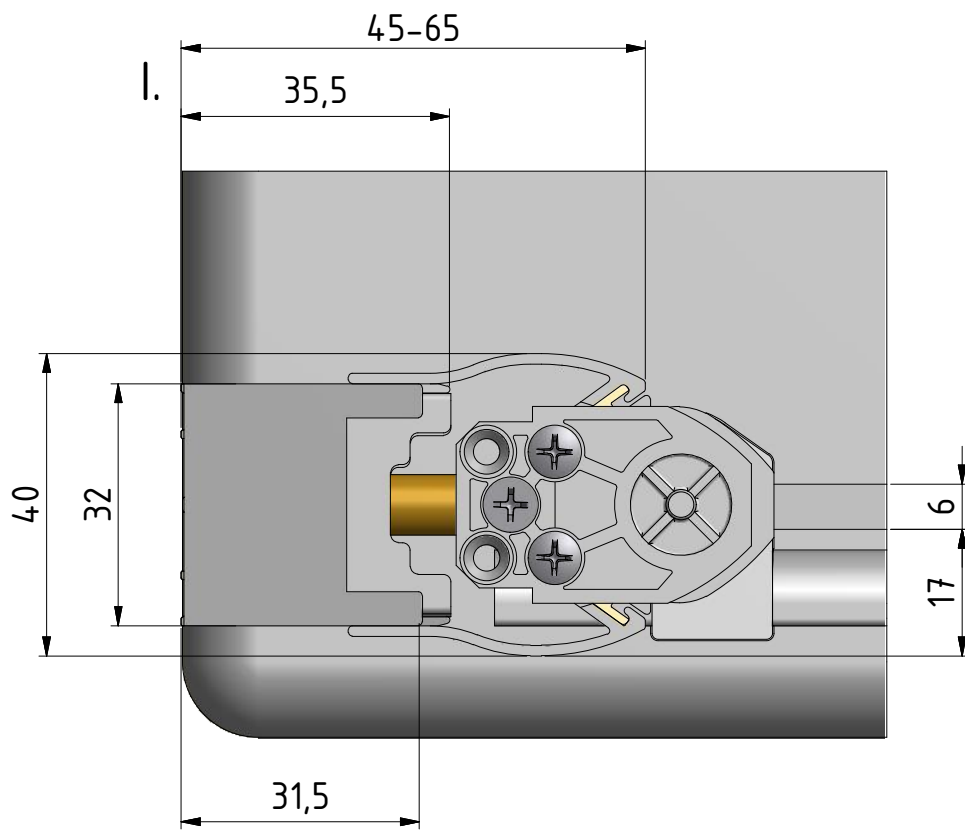
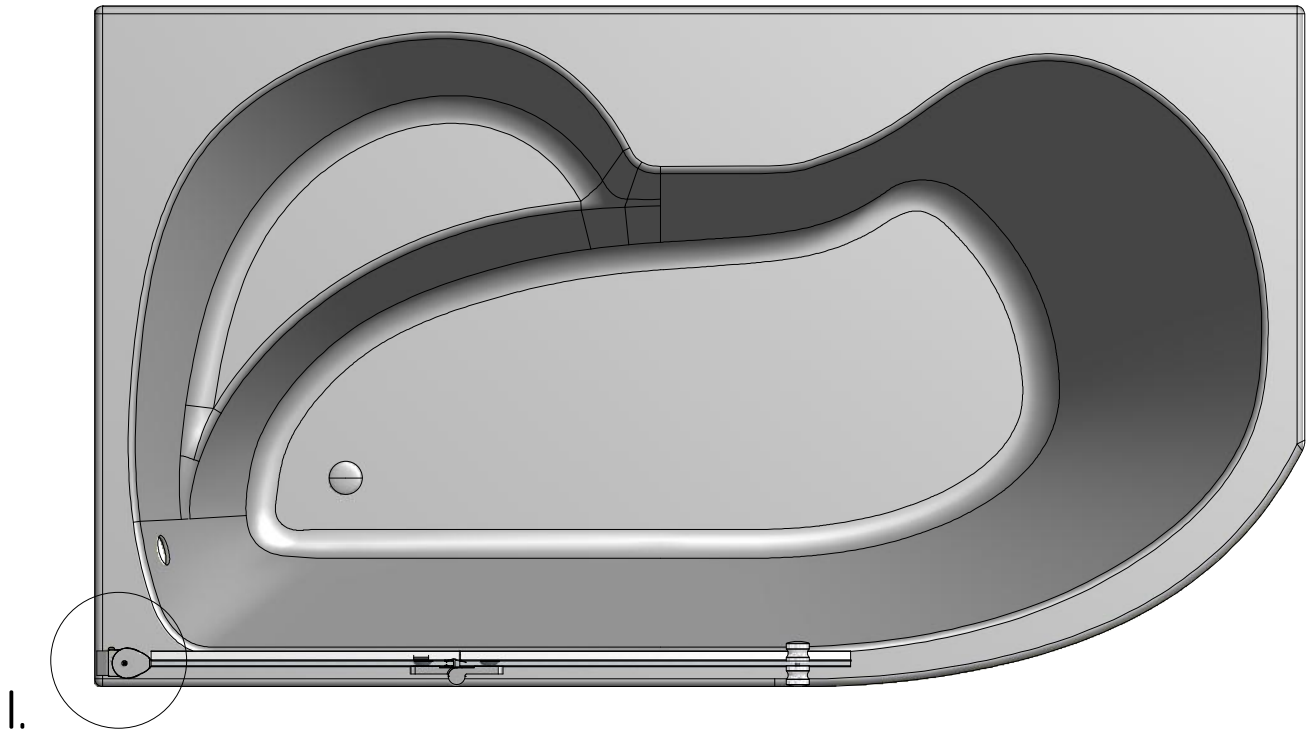


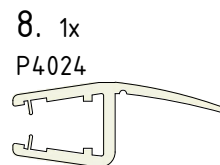
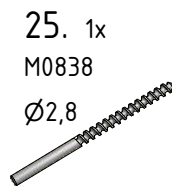
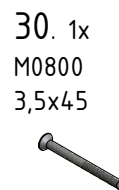
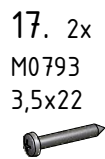
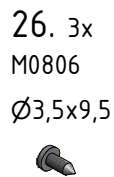
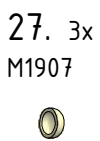
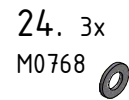
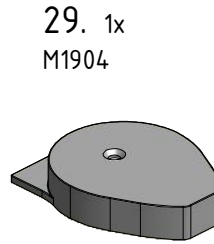
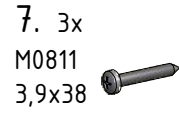
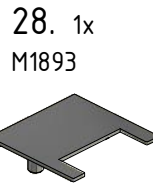
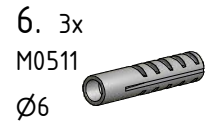
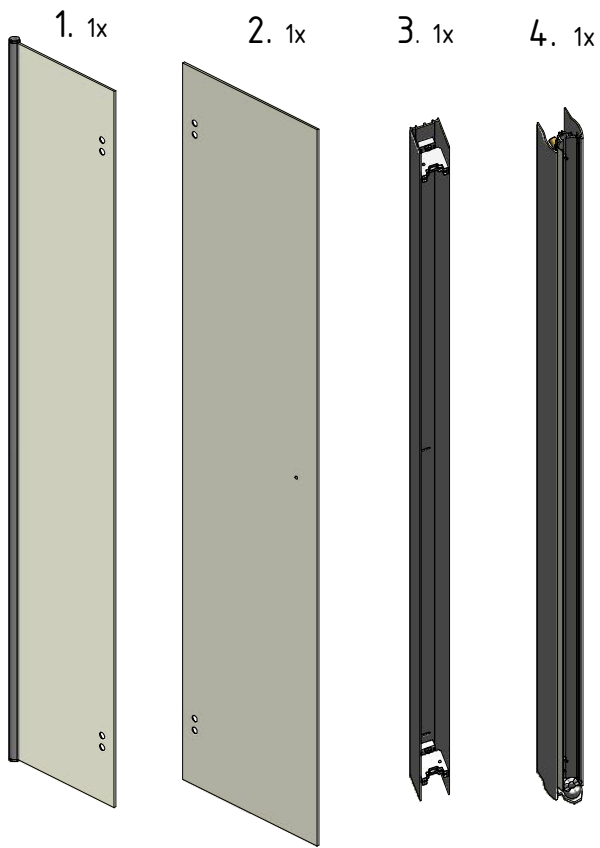
# TZVL2 (TZVP2)



Roth Czech s.r.o.; Czech Republic, 56933 Třebořov 160,  
tel.:+420 461 324 301/302  
<http://www.roth-czech.cz>; e-mail: [objednavky@roth-czech.cz](mailto:objednavky@roth-czech.cz)

R04  
MA2123

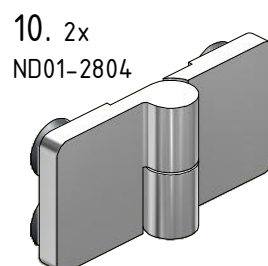


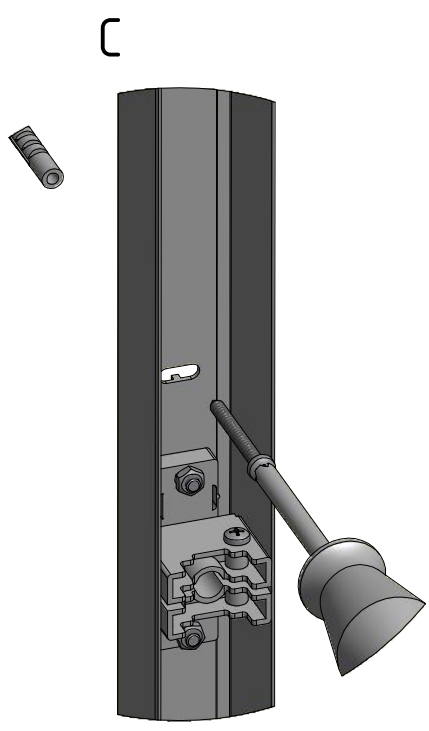
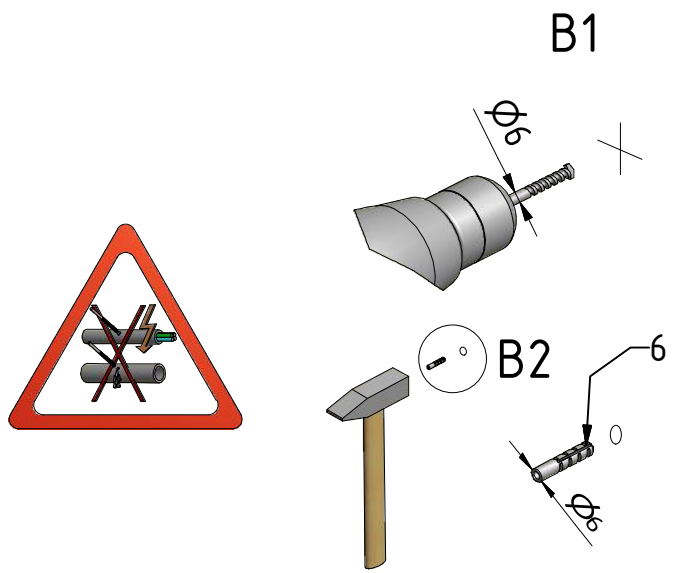
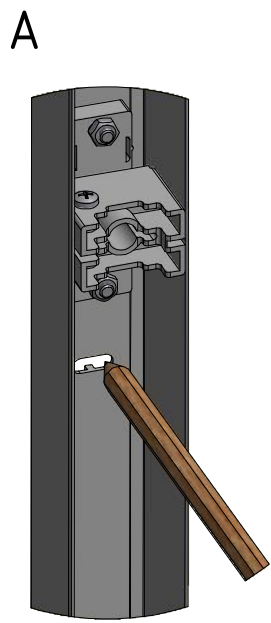
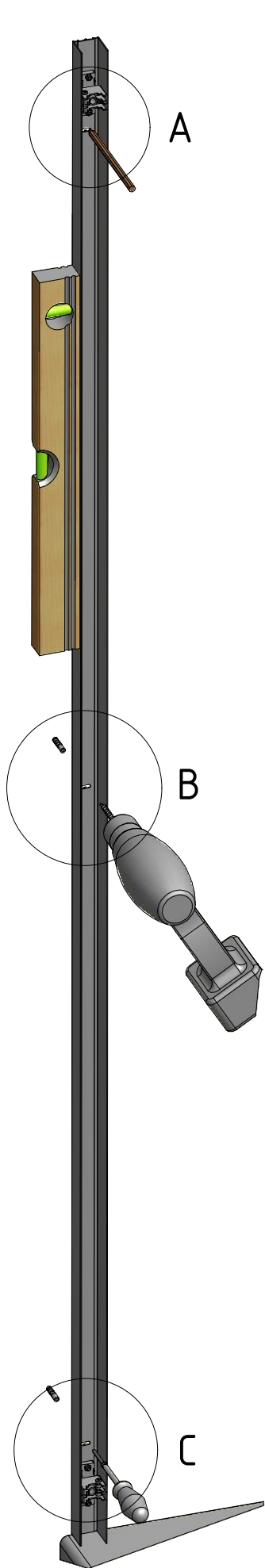


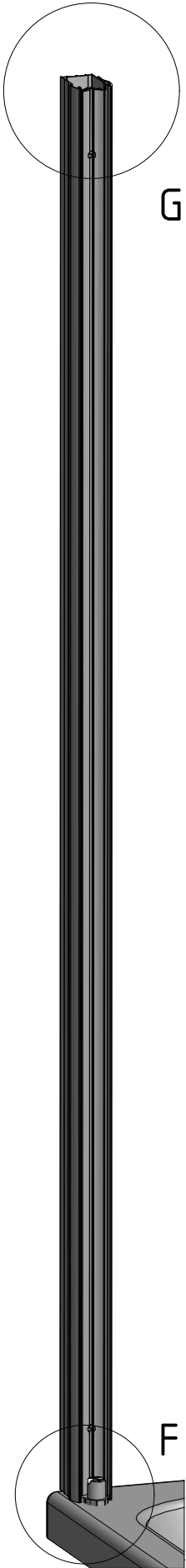
## TZVL2



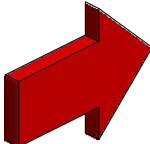
## TZVP2



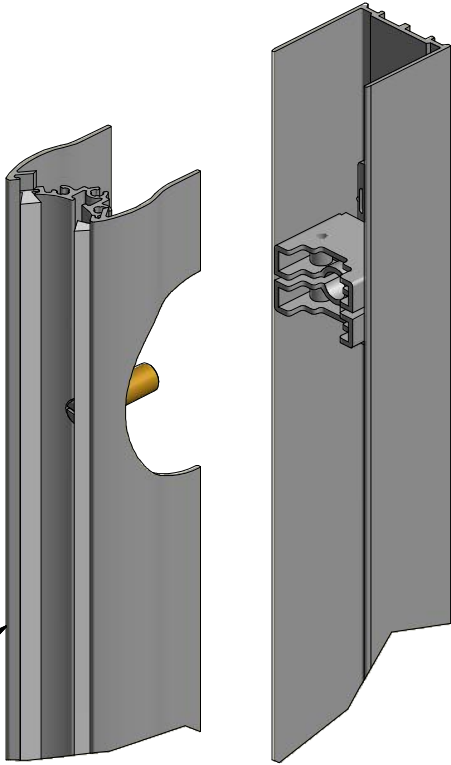




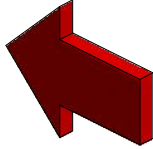
G1



4



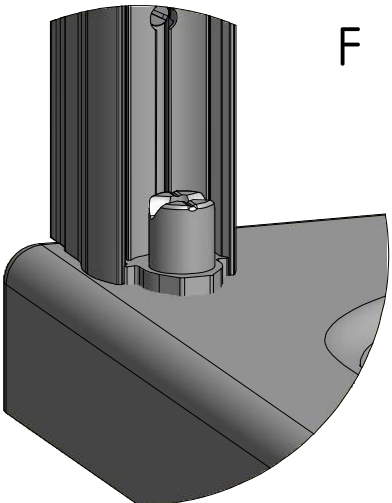
G2



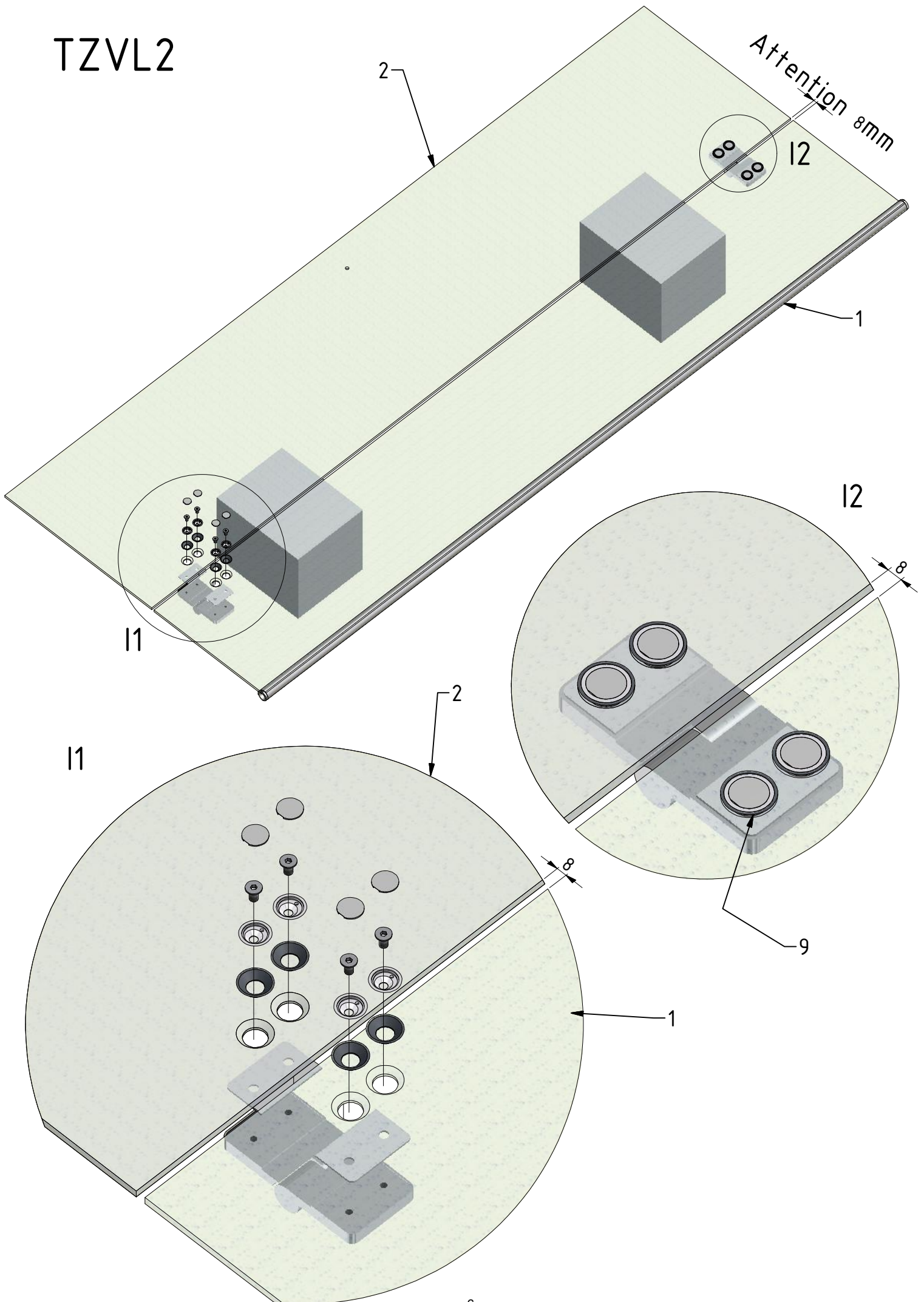
4



F

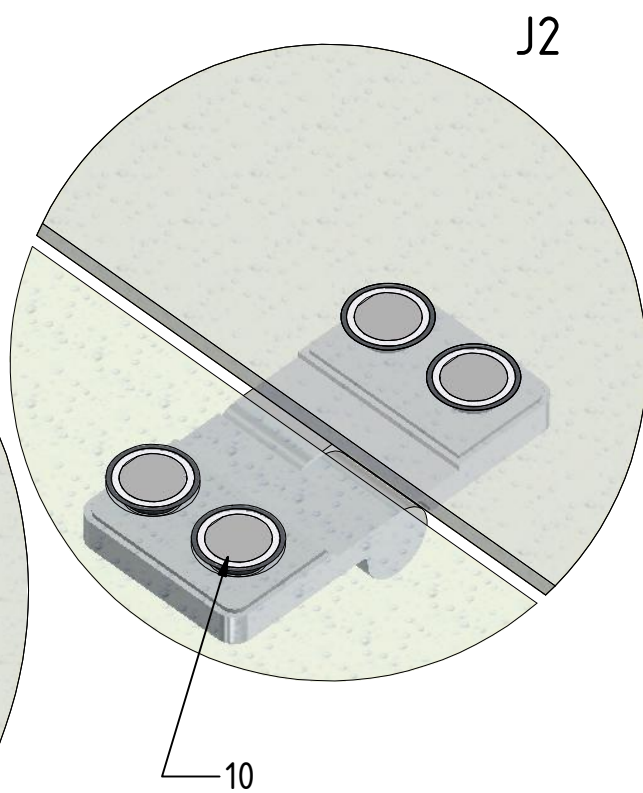
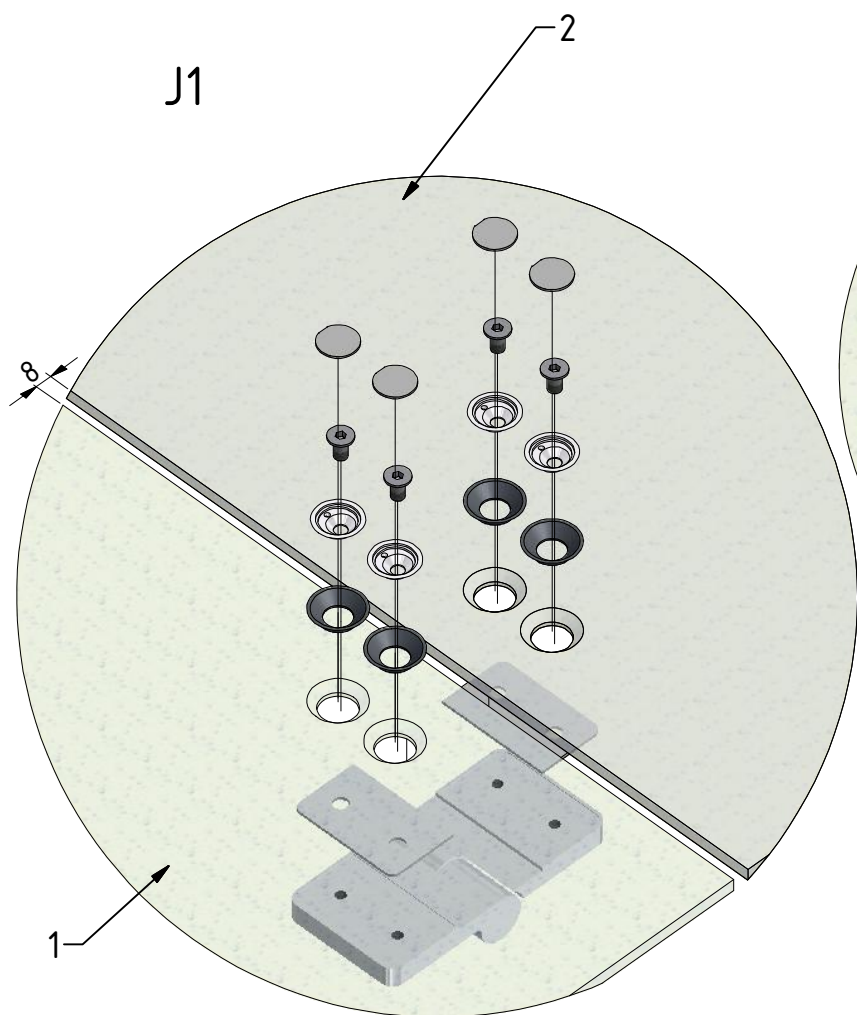
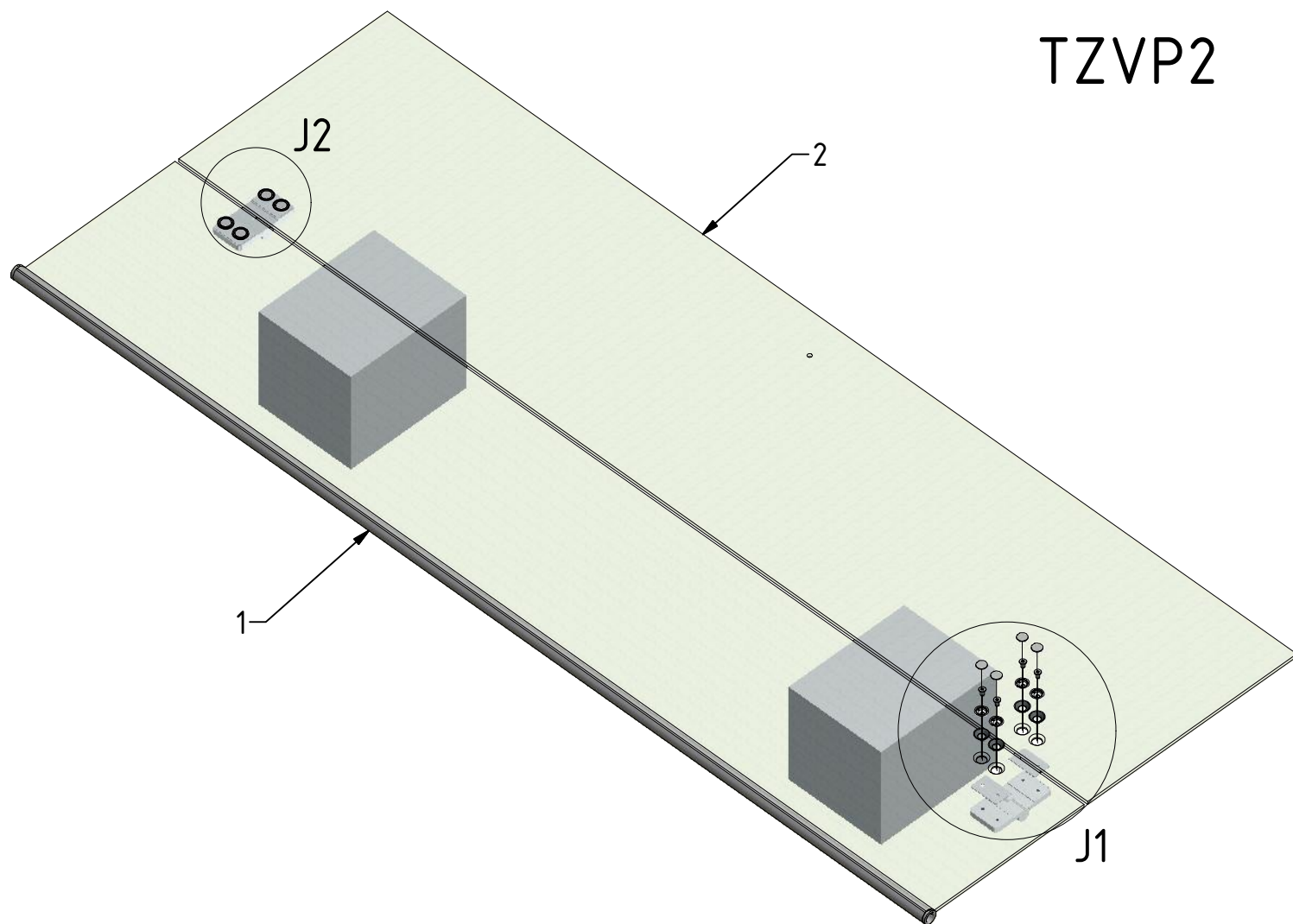


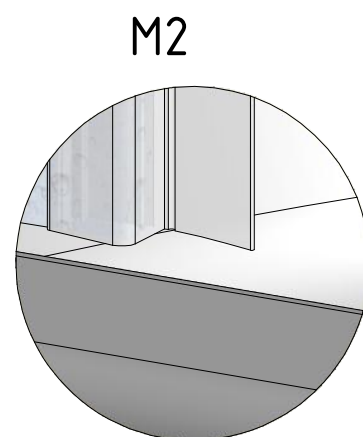
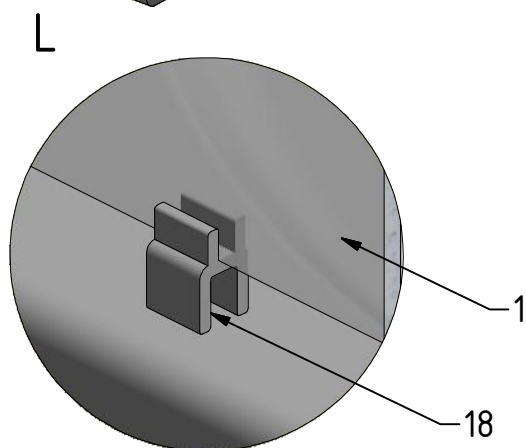
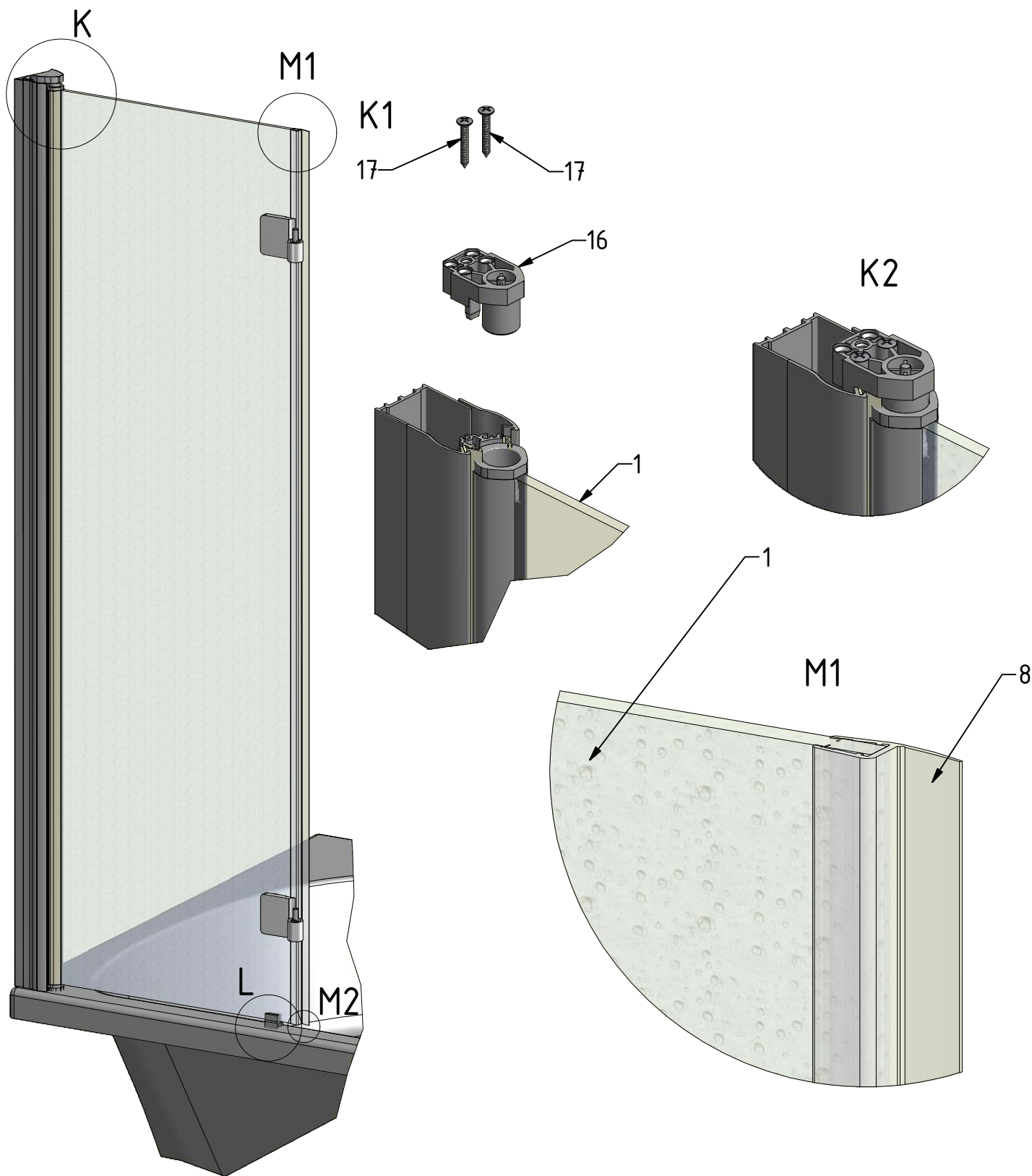
# TZVL2



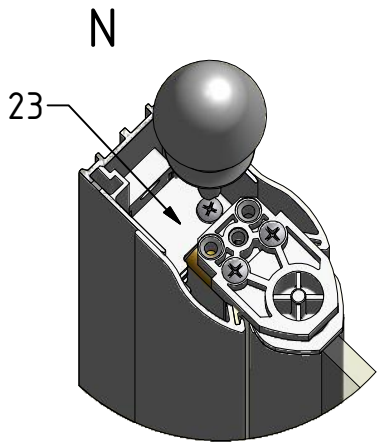


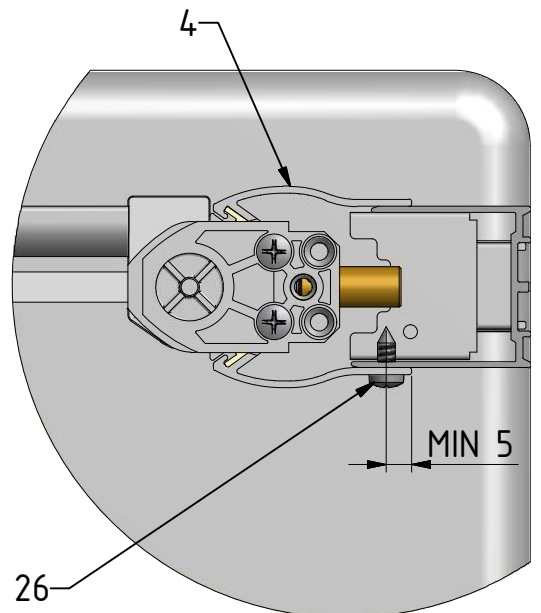
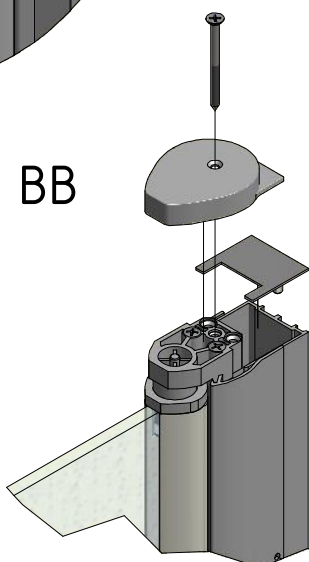
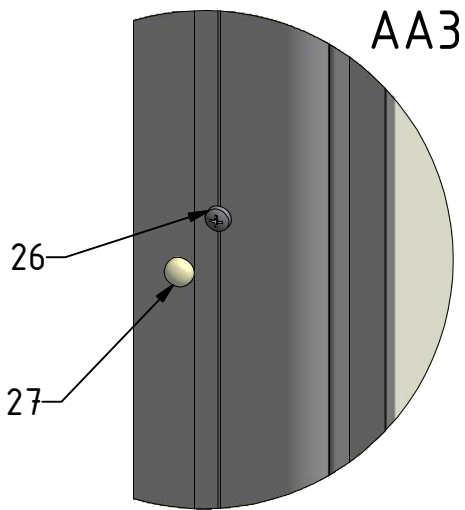
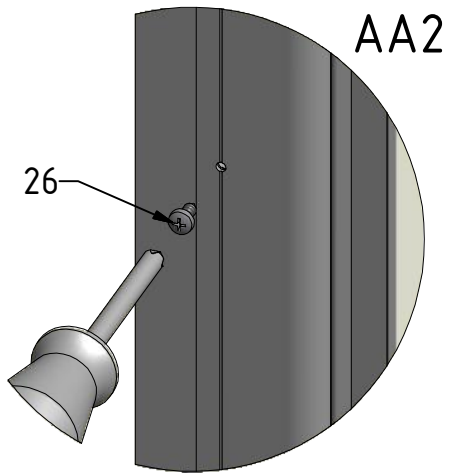
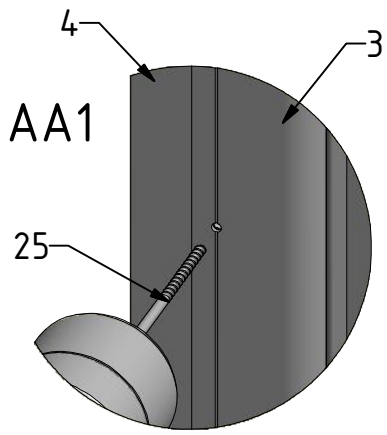
# TZVP2

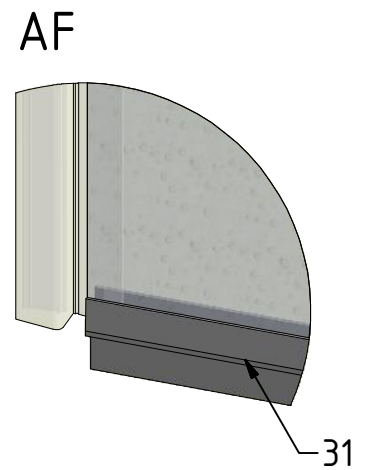
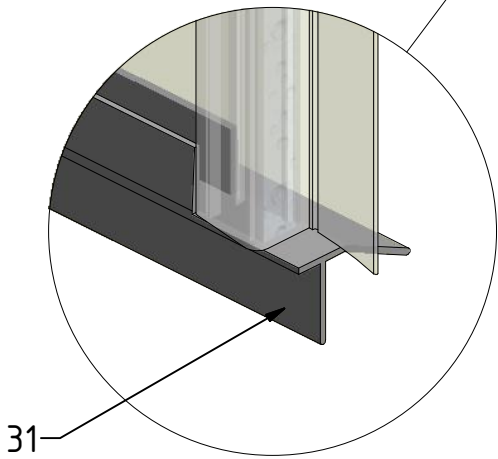
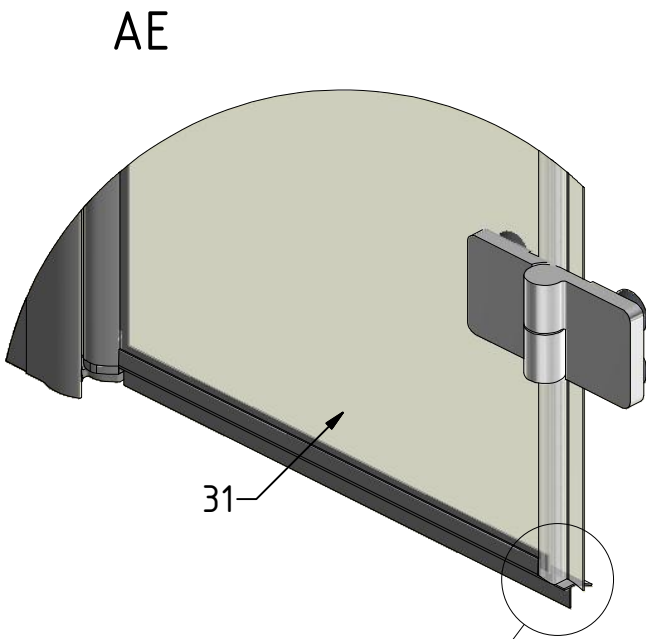
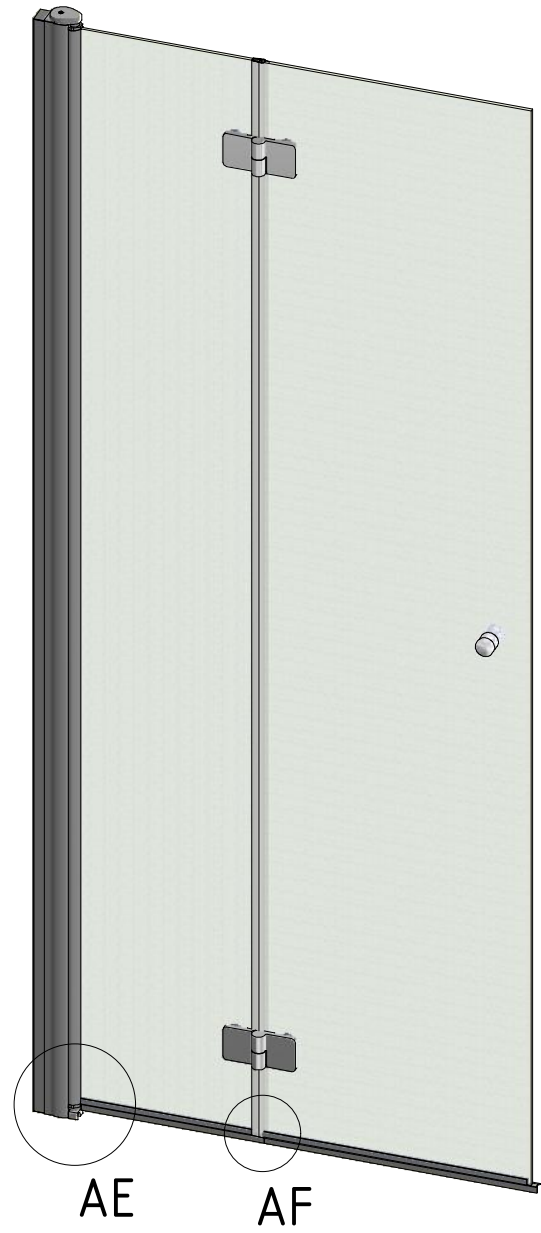
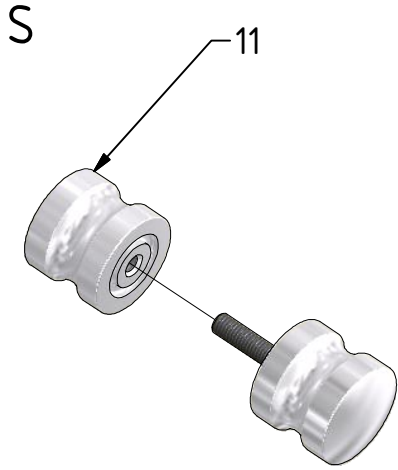


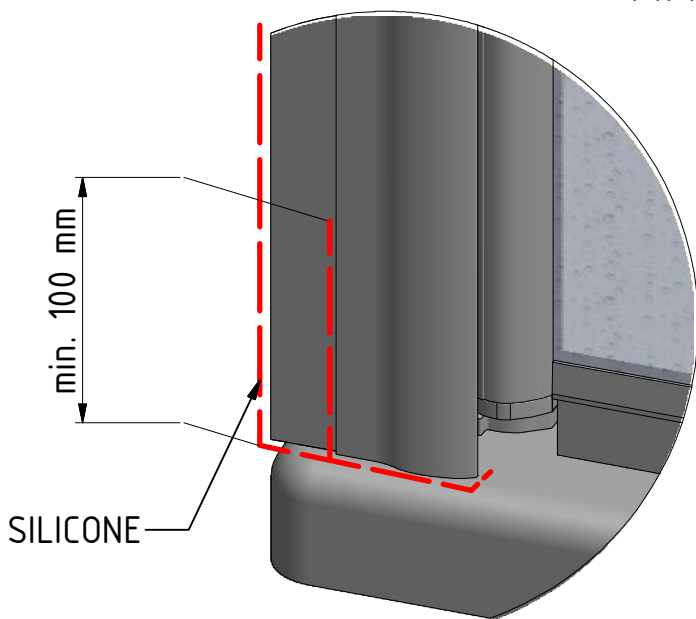
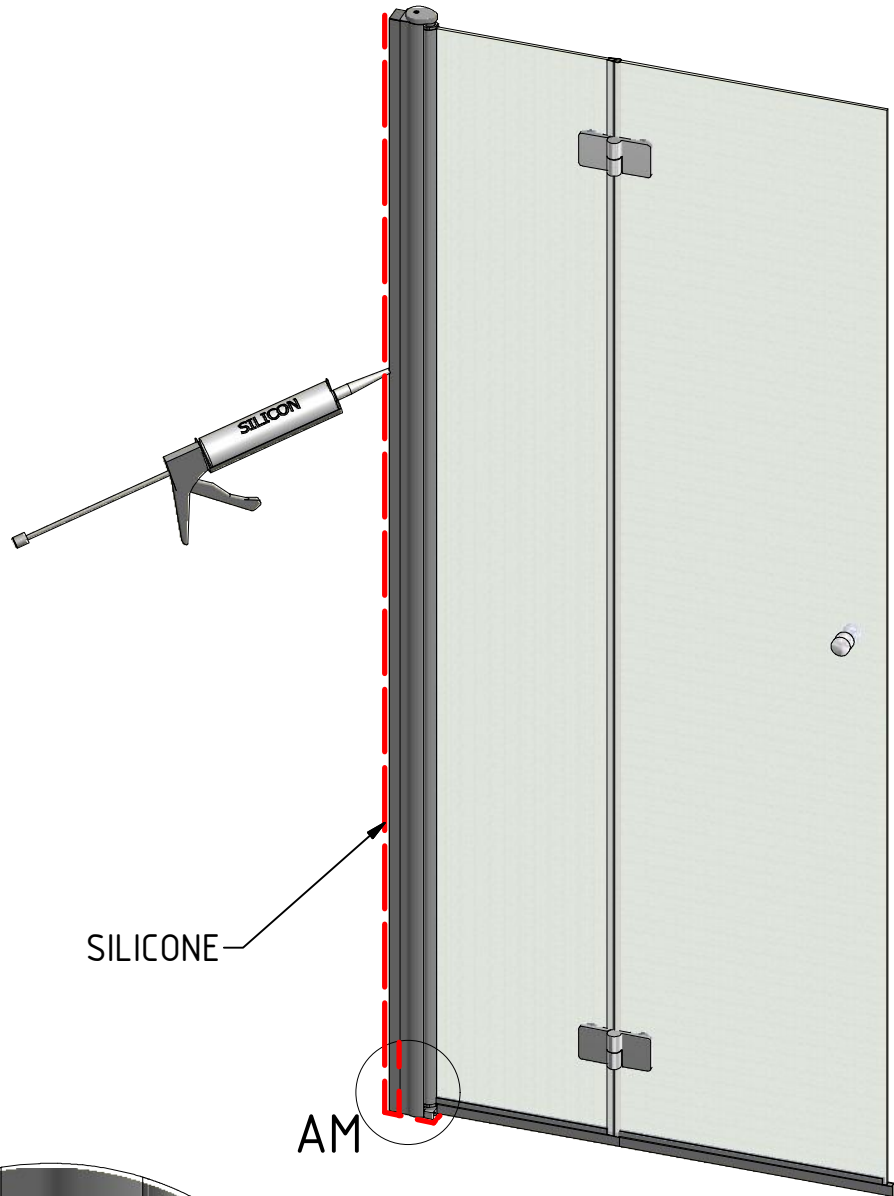




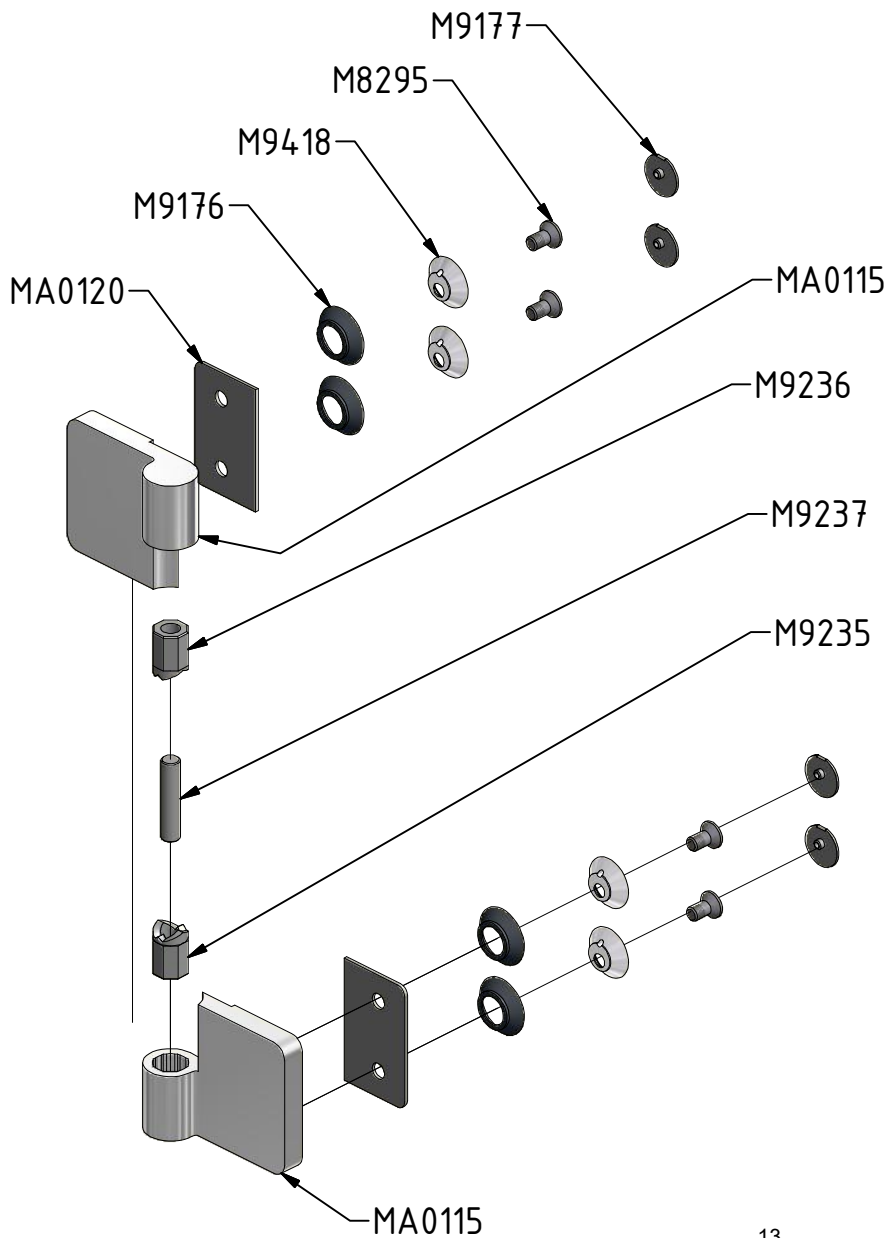
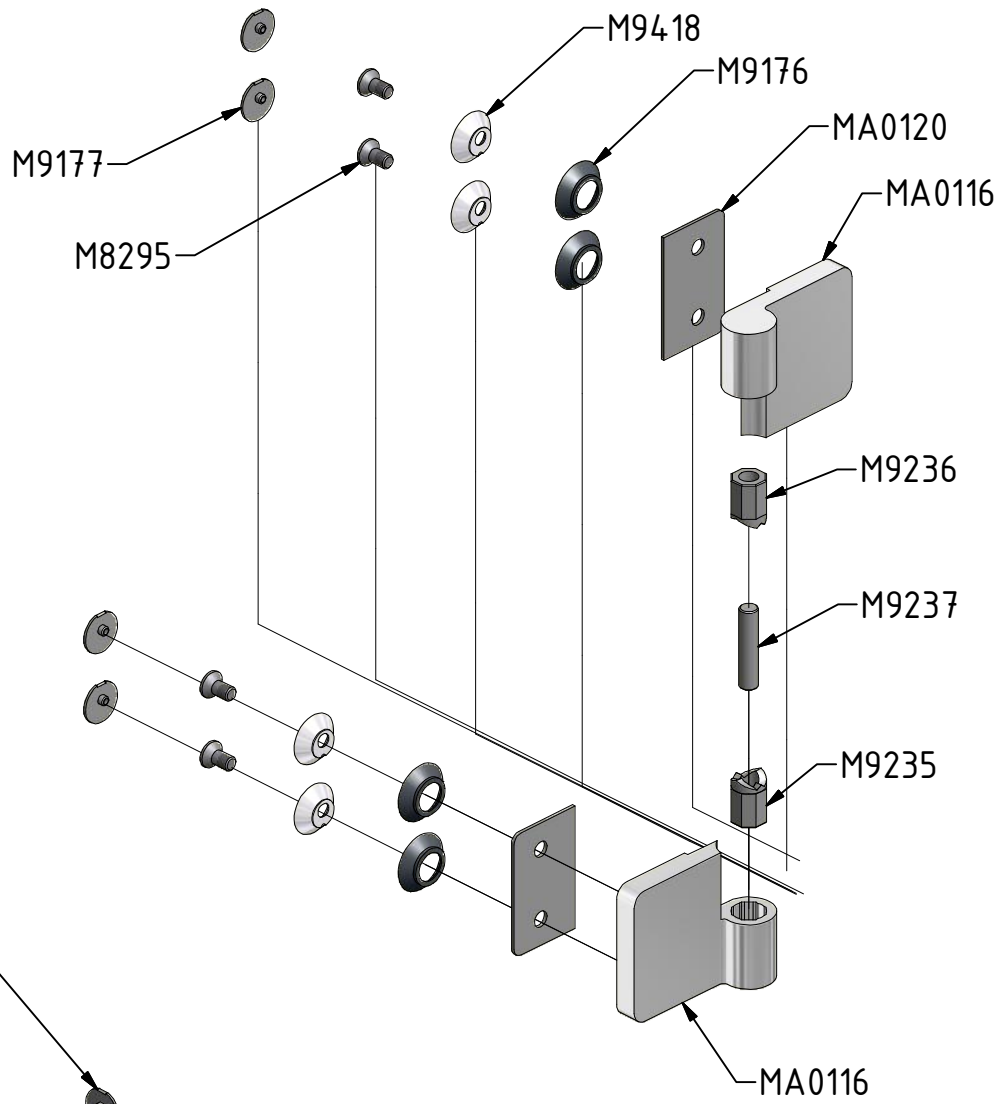




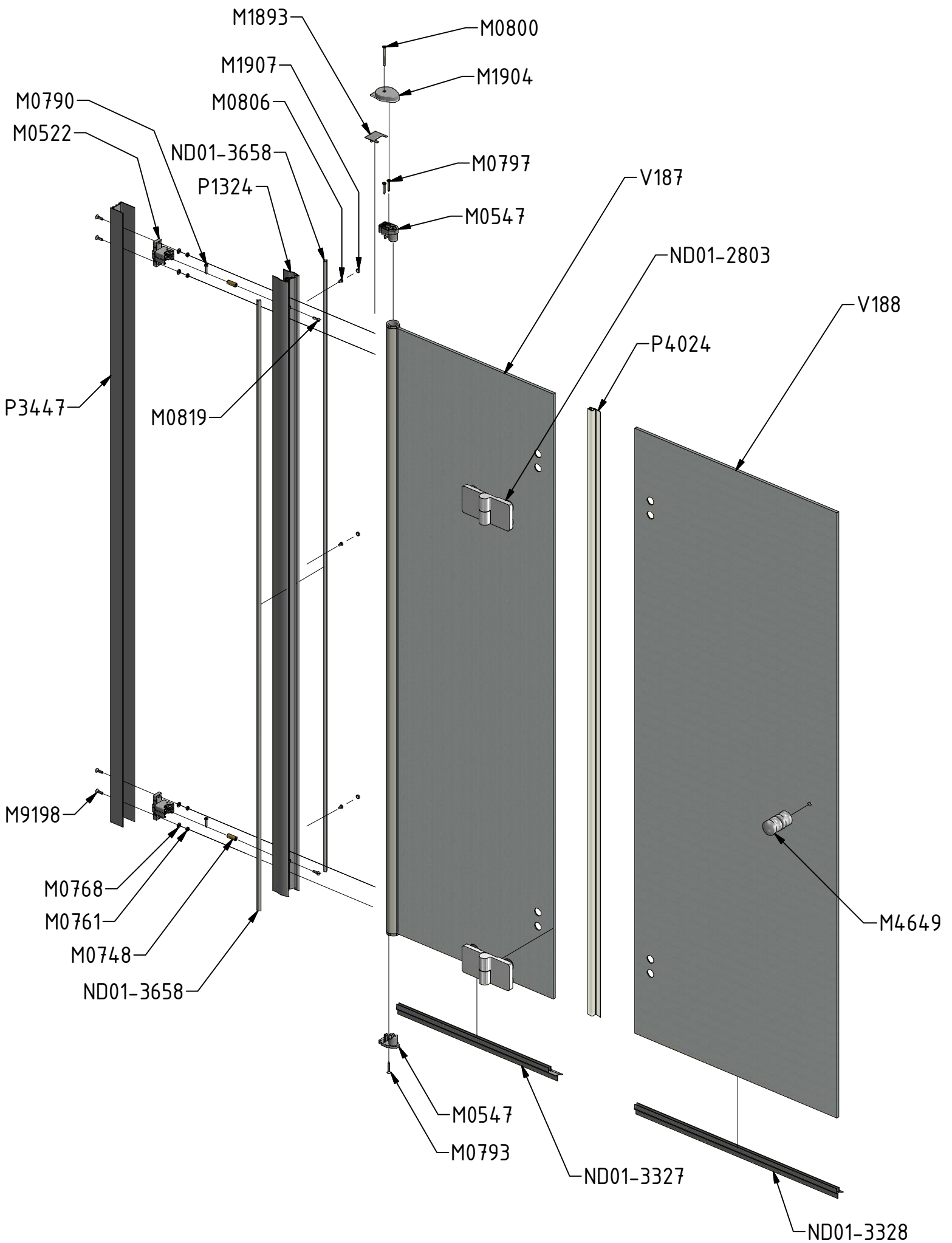




ND01-2803



ND01-2804





V187	1000	brillant+transparent	ND03-0644-00-02
	1100	brillant+transparent	ND03-0645-00-02
	1200	brillant+transparent	ND03-0646-00-02

V188	1000	transparent	ND02-0718-00-02
	1100	transparent	ND02-0719-00-02
	1200	transparent	ND02-0720-00-02

